

**QV3-M27/\***  
**90 l/min 35 MPa (350 bar)**

**1 DESCRIPTION**

Cartridge valve designed to keep constant flow rate, regardless of system pressure, from 1 to 3 while excess fluid is discharged through port 2 back to the tank. This valve is designed for speed control of actuators in all applications where a minimum fluctuation of velocity is acceptable during actuator transitories. Regulated flow increased with clockwise rotation of the adjusting screw. When port 2 is blocked the valve acts as a priority flow regulator or a 2-way flow regulator. When flow goes from 3 -> 1 the valve acts as a flow restrictor (pressure compensator spool inactive). Body of the valve is zinc trivalent coating for enhanced corrosion resistance (240h salt spray).

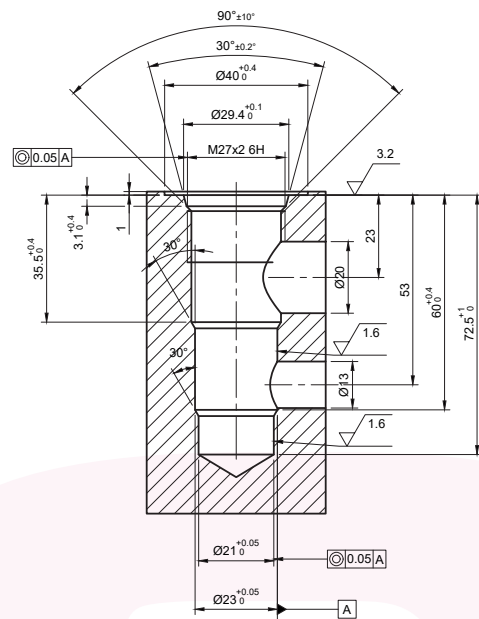
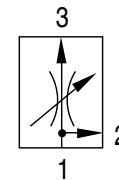
**2 ORDERING CODE**

(1)	(2)	(3)	(4)
QV3	- M27	/	-

- (1) QV3 : 3-way pressure compensated flow regulator
- (2) M27: M27x2 cavity
- (3) Regulated flow range:
  - 40: 4-40 l/min
  - 60: 6-60 l/min
- (4) Options and variants:
  - V: viton seals

**3 TECHNICAL DATA**

Max. flow rate	90 l/min
Max. operating pressure	350 bar
Fluid temperature range (NBR)	-20...+50 °C
Ambient temperature range	-30...+80 °C
Weight	0,16 kg

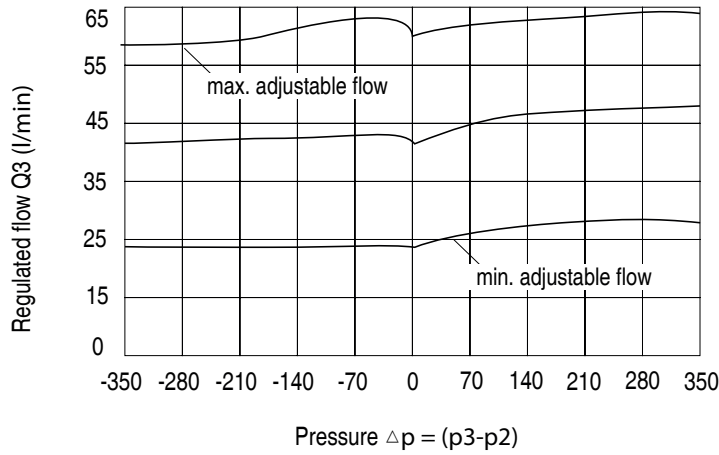


#### 4 TYPICAL DIAGRAMS

Typical regulated flow related to input pressure, measured with mineral oil @ 40 cSt and with Q=50 l/min

By-pass pressure higher than regulated pressure  $p_2 > p_3$

Regulated pressure higher than by-pass pressure  $p_3 > p_2$



#### 5 INSTALLATION DIMENSIONS

