

MONOBLOCK SINGLE SECTION ISO 03 - BOTTOM PORTS

MRSK-3-GE-14

80 l/min 35 MPa (350 bar)

1 DESCRIPTION

MRSK-3-GE is a basic CETOP 3 baseplate useful for the connection of a single cetop section with A, B, P, T ports which are located on the sides; it has a standard SAE08 cavity on the side allowing a relief valve installation.

The plate is in steel phosphate coated.

2 ORDERING CODE

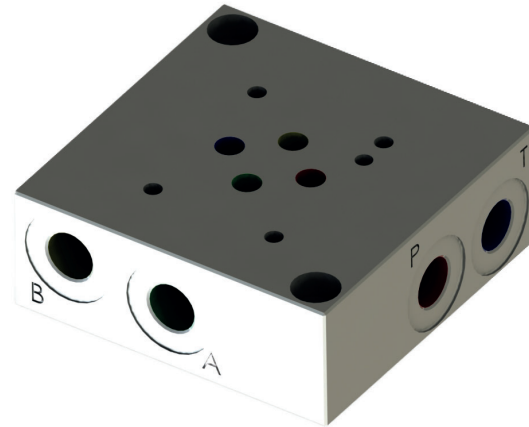
(1)	(2)	(3)	(4)
MRSK	- 3	- GE	- 14

(1) MRSK: Base plate single section and bottom ports

(2) 3 : CETOP 3

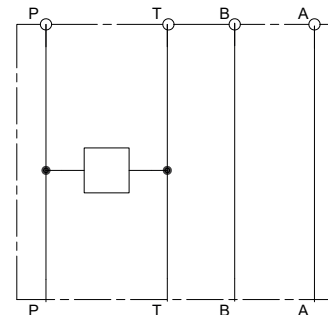
(3) GE: version with relief valve cavity

(4) 14. Ports 1/4"

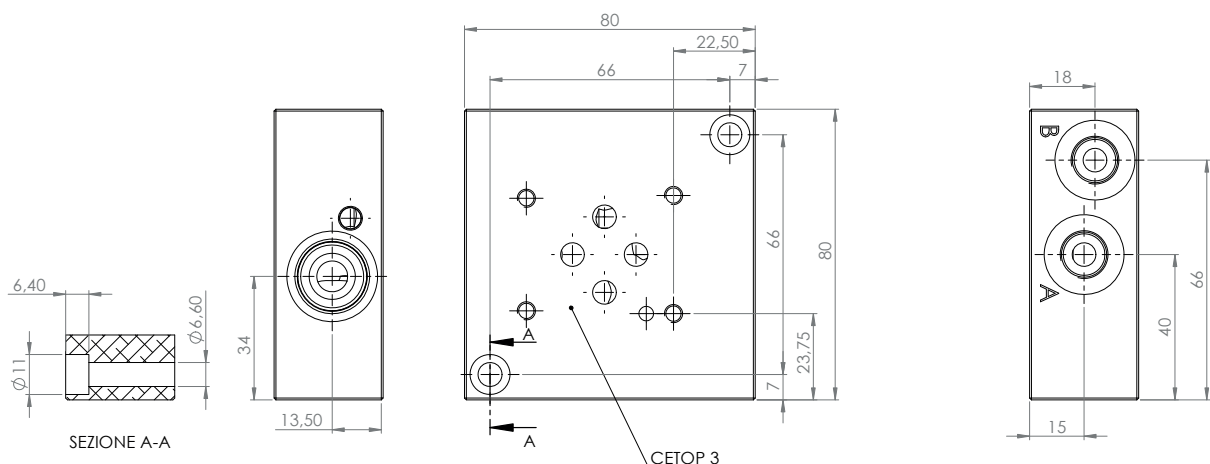


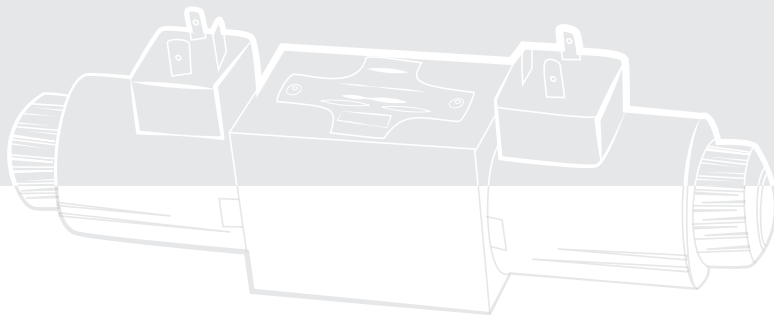
3 TECHNICAL DATA

Material:	Steel
Coating	Phosphated
Max pressure	35 MPa (350 bar)
Max flow rate	80 l/min
Mass	1,24 kg



4 INSTALLATION DIMENSIONS





5 OPTIONS

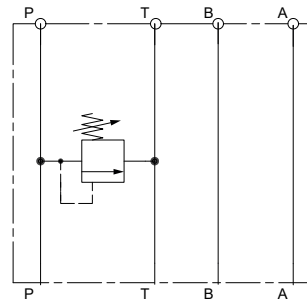
MRSK-3-GE-14 plates can be supplied with a direct acting relief valve type MO-020 (see page 8-0031) and can be order according to the following code:

ORDERING CODE

MRSK	-	3	-	GE	-	14	/	(1)
------	---	---	---	----	---	----	---	-----

(1) Relief valve spring options:

- 10: settings 32-125 bar, increase 15 bar/turn
- 20: settings 63-200 bar, increase 30 bar/turn
- 32: settings 125-350 bar, increase 40 bar/turn



INSTALLATION DIMENSIONS (with MO-020)

ALLEN EX. 5

EX. 19
EX. 22

EX. 24

