

SCREW-IN, 2-WAY SOLENOID OPERATED DIRECTIONAL VALVE CAVITY 7/8" 14 UNF spool type with 19mm nose
EVH20-78/2 -05-024C
60 l/min 35 MPa (350 bar)

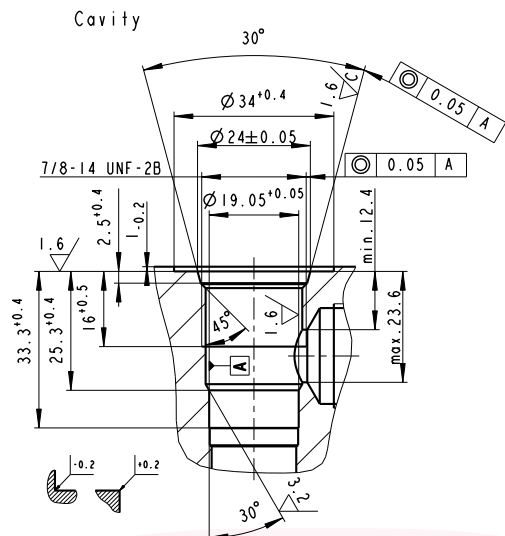
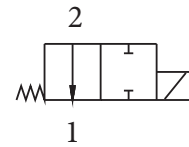
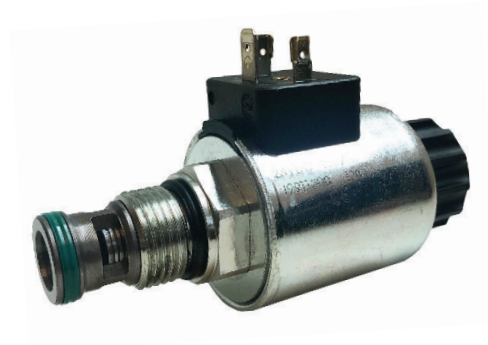
1 DESCRIPTION

Directional control valve 2 way 2 position spool type high performance and high power, ideal for high flows and pressures.
 This valve has a special design with a 7/8"14 UNF thread but with a 19mm nose that permits a reduced pressure drop. Valve body is zinc coated. The dual seals rings assure an efficient and reliable tightness of the valve.

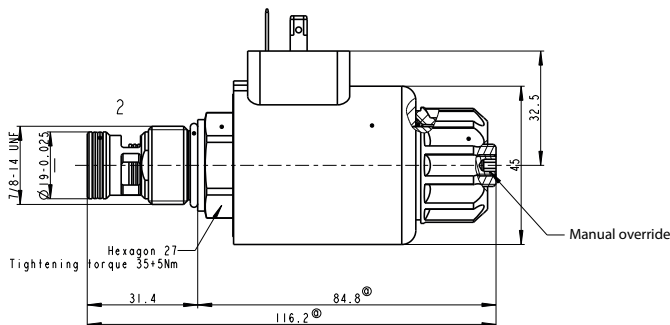
2 ORDERING CODE

(1)	(2)	(3)	(4)
EVH20	-	78/2	-
		05	-
			024C

- (1) EVH20 : 2-way solenoid operated spool type normally open
- (2) 78/2 : cavity 7/8" 14 UNF with 19mm nose
- (3) Valves variants
05: manual override (see 7)
- (4) Coil type
024C : coils for V24DC with standard connection ISO4400/DIN43650/A



These valves are to be installed in cavity 7/8" 14 UNF with special Ø19mm



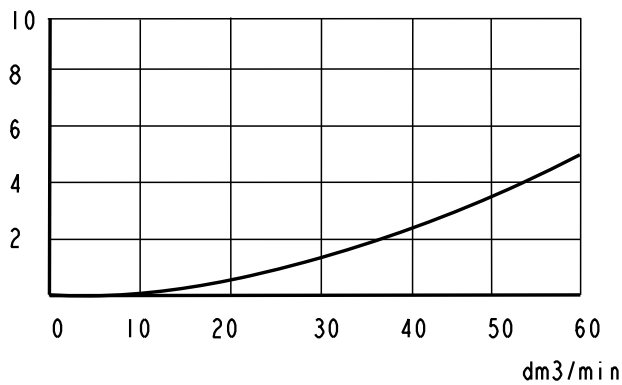
3 TECHNICAL DATA

Max. flow rate	60 l/min	Electric characteristics: Those solenoid operated valves are normally equipped by coils type B03, which are energized directly from a D.C. voltage supply V 24 DC = 024C
Max. operating pressure	350 bar	
Fluid temperature range (NBR)	-30....80 (-22..176) °C	
Fluid temperature range (FPM)	-20....80 (-4..176) °C	
ambient temperature range	-30....80 (-22..176) °C	
Supply voltage tolerance	24V DC ±10%	
Weight	0,66 kg	

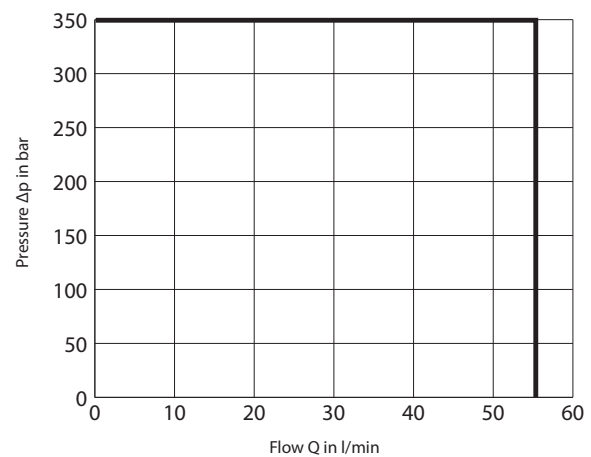
4 PRESSURE DROPS

Valve + body flow direction 1-2

Δp (bar) measured at 32 mm²/s



5 TYPICAL DIAGRAMS



6 CONNECTORS

All connectors must conform to ISO 4400 (DIN 43650) and electric circuitry must be able to carry the following rated current values:
V 24 DC = 1,2 A V 230/50 = 0,14 A

7 MANUAL OVERRIDE

