

HYDRAULIC SCREW-IN VALVES FLOW CONTROL-ADJUSTABLE

RO-34/* 20 l/min 35 MPa (350 bar)

1 DESCRIPTION

Pressure reducing-relief valve in cartridge style with 3/4"-16 UNF industrial common cavity, direct acting, spool type for improved stability throughout flow range. Thanks to the low hysteresis of the valve the response to dynamic pressure changes is rapid and reliable. Body is designed for an accurate pressure control with a limited pressure drop. Standard version of the valve is zinc coated (240h salt spray test) with possibility of Zinc Nickel coating for improved corrosion resistance (520h salt spray).



2 ORDERING CODE

(1)	(2)	(3)	(4)	(5)
RO	- 34	/	-	-

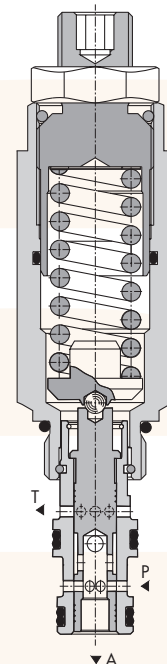
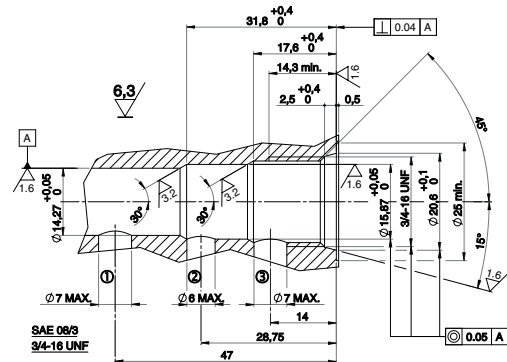
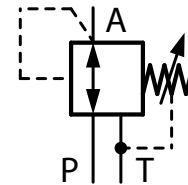
(1) RO: Direct acting pressure reducing-relieving valve

(2) Nominal size
34: 3/4" 16 UNF Cavity

(3) Reduced pressure ranges
- 6,3: 2,0-6,3 MPa (20-63 bar)
- 16: 5,0-16MPa (50-160 bar)
- 21: 10,0-21,0 MPa (100-210 bar)

(4) seals
- no designation: NBR seals
- V: Viton seals

(5) Coating
- no designation: zinc - trivalent coating
- ZN: zinc - nichel (520 h)



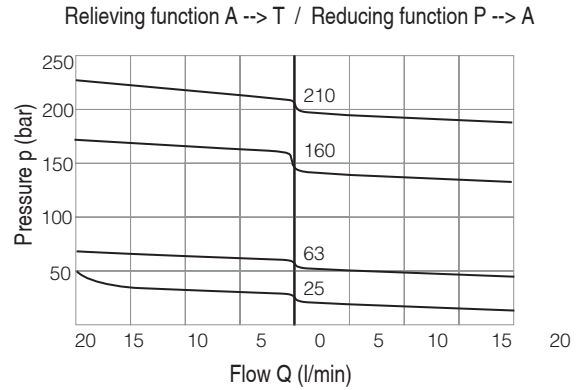
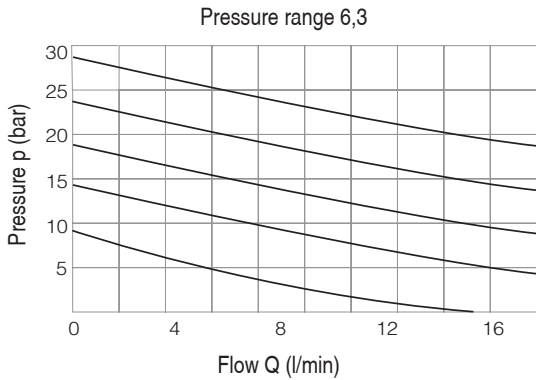
3 TECHNICAL DATA

Maximum flow	20 l/min
Maximum pressure	35 MPa (350 bar)
Mass	0,13 Kg

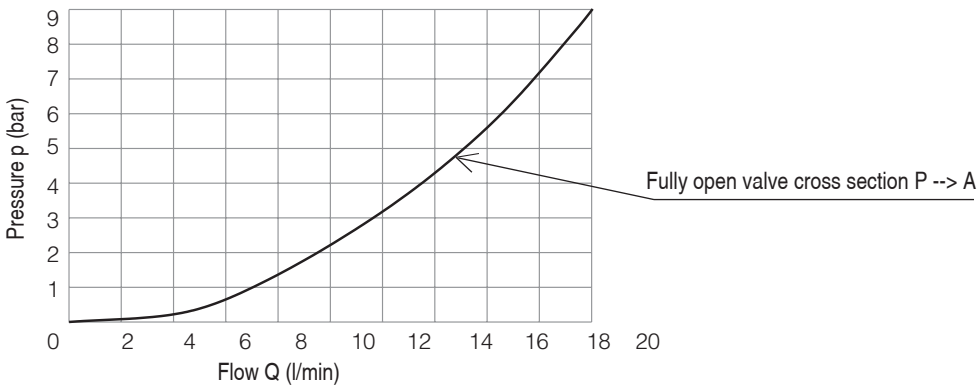
4 TYPICAL DIAGRAMS

Minimum reducing pressure related to flow rate

Reducing - relieving pressure related to flow rate



Pressure drop related to flow rate



5 INSTALLATION DIMENSIONS

