



## HYDRAULIC SCREW-IN VALVES PRESSURE RELIEF-DIRECT ACTING MO-020

25 l/min 35 MPa (350 bar)

### 1 DESCRIPTION

MO-020 is a direct operated pressure relief valve in standard cavity 3/4" 16UNF.  
The external surface is zinc coated.  
There are three different pressure settings for a more accurate regulation.



### 2 ORDERING CODE

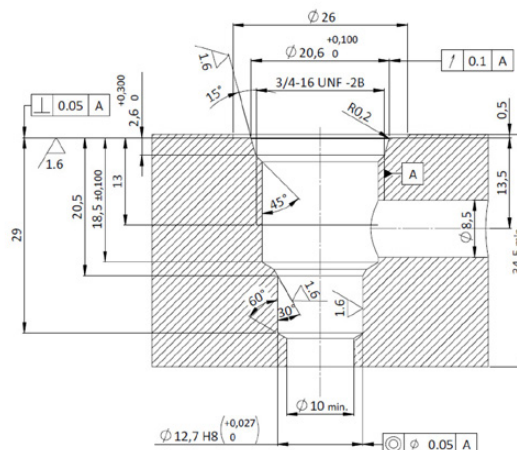
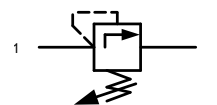
(1)	(2)	(3)
MO	-	020 /

(1) MO: Direct acting relief valve

(2) 020: Nominal size

(3) Spring type:

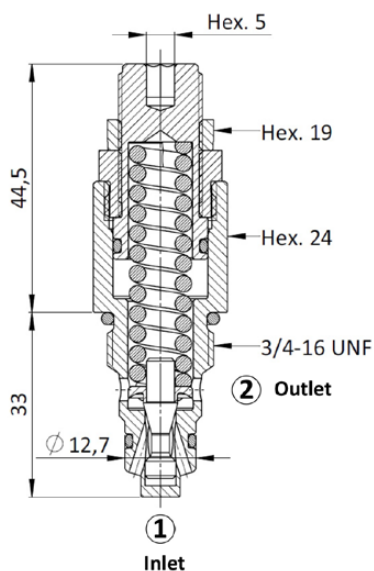
- 10: setting 32-125bar, increase 15 bar/turn,
- 20: setting 63-200bar, increase 30 bar/turn,
- 32: setting 125-350bar, increase 40 bar/turn,



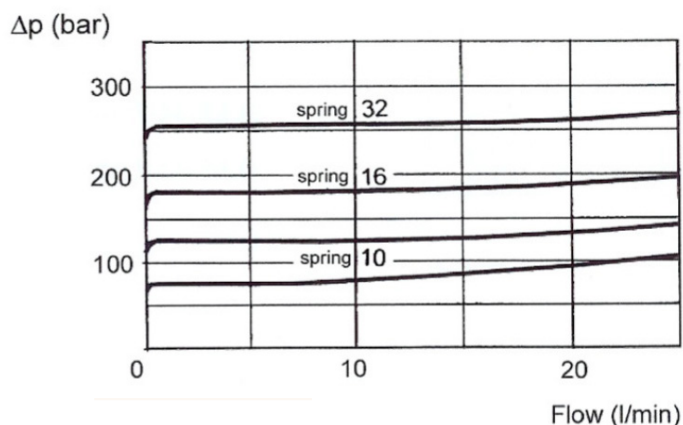
### 3 TECHNICAL DATA

Maximum flow	25 l/min
Maximum pressure	25 MPa (250 bar)
Mass	0,13 Kg

### 5 INSTALLATION DIMENSIONS



### 4 TYPICAL DIAGRAMS



#### SPARE PARTS

Position	Code	Description
1	ZOR084	O-Ring Ø 16,36 x 2,20 70 Sh
2	0F.A2.001	Teflon Ring Ø 9,7 x 12,7 x 1,4
3	ZOR027	O-Ring Ø 9,25 x 1,78 70 Sh
Inner	ZORO28	O-Ring Ø 14 x 1,78 70 Sh