



## HYDRAULIC SCREW-IN VALVES PRESSURE RELIEF-DIRECT ACTING MO-010

16 l/min 25 MPa (250 bar)

### 1 DESCRIPTION

MO-010 is a direct operated pressure relief valve in standard cavity 3/4" 16UNF.

The external surface is zinc coated. With a single pressure setting it is possible to cover a wide range of regulations. The simple design is perfect for application with low flow rates such as mini power units.



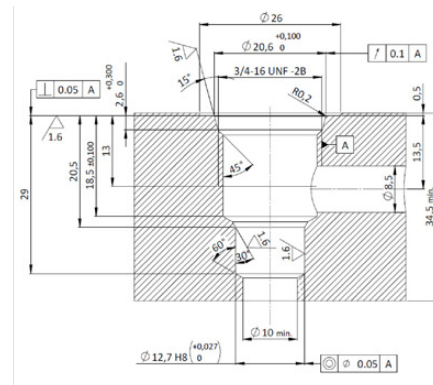
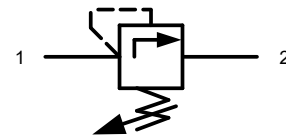
### 2 ORDERING CODE

(1)	(2)	(3)
MO	- 010	/ 25

(1) MO: Direct acting relief valve

(2) 010: Nominal size (3/4" 16 UNF)

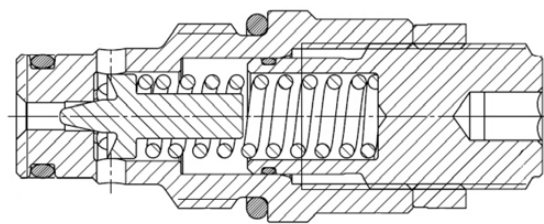
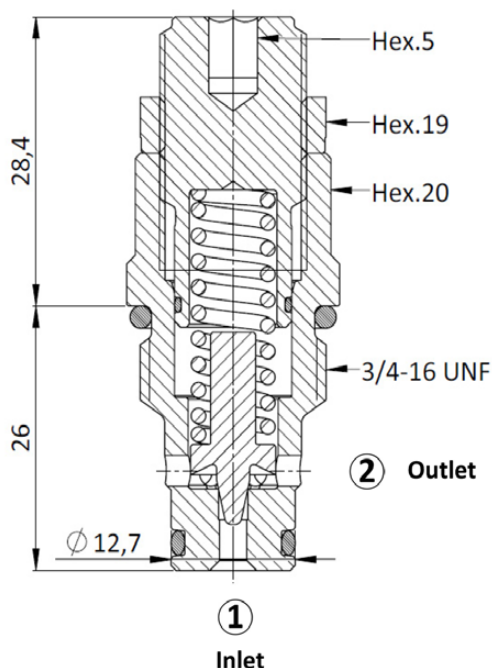
(3) 25: Spring type (setting range 25 to 250 bar)



### 3 TECHNICAL DATA

Maximum flow	16 l/min
Maximum pressure	25 MPa (250 bar)
Mass	0,14 Kg

### 4 INSTALLATION DIMENSIONS



SPARE PARTS	
Position	Description
1	O-Ring Ø 16,36 x 2,20 70 Sh
2	Teflon Ring Ø 9,7 x 12,7 x 1,4
3	O-Ring Ø 9,25 x 1,78 70 Sh