



LINE ASSEMBLY BODIES FOR 2-WAY SCREW-IN VALVES

LAB 35 MPa (350 bar)

1 DESCRIPTION

Suitable for standard 2-way screw-in valves. In-line parallel assembly: all ports connected. In-line series assembly: one port n 1 plugged. Standard execution with plug on port n 1 Material: aluminium Maximum operating pressure: 350 bar Cavity according to UNF standards, BSP ports

2 ORDERING CODE

(1)	(2)	(3)	(4)
LAB	-	- 2	/

(1) LAB: Line assembly body

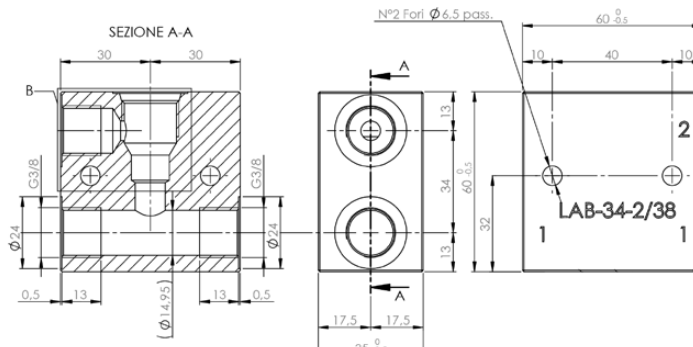
(2) Nominal size
34: Cavity 3/4" - 16 UNF
78: Cavity 7/8" - 14 UNF

(3) 2: 2-way valves
3: 3-way valves
4: 4-way valves

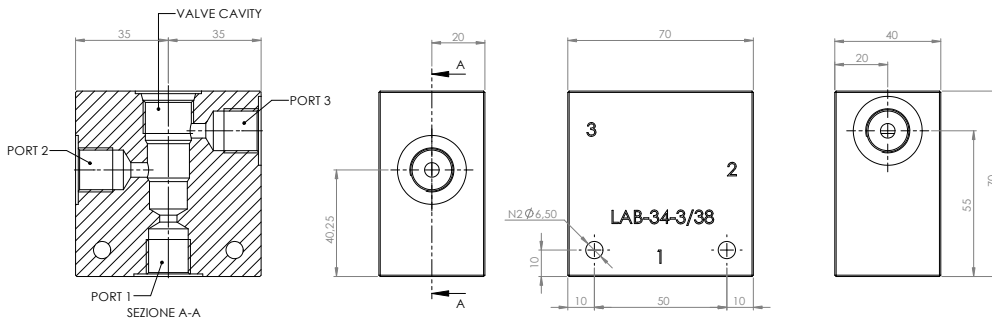
(4) Port configuration
14: ports 1/4" BSP (LAB-34 only)
38: ports 3/8" BSP
12: ports 1/2" BSP (LAB-78 only)



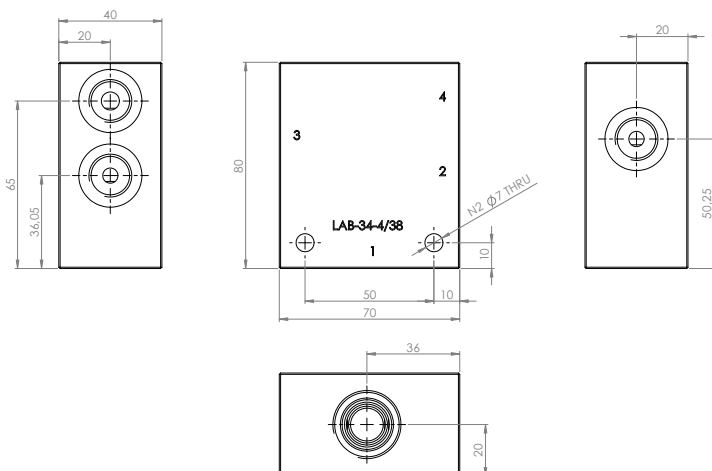
3 LAB-34-2/** Mass: 0,25 kg



LAB-34-3



LAB-34-4



4 LAB-78-2/** Mass: 0,37 kg

