

## FLOW CONTROL VALVES

### FT251/2-S

50 MPa (500 bar)

#### 1 DESCRIPTION

Flow control valves, needle type 2-way flow control, adjustable BSP thread ports for in-line assembly Steel body, poppet and spring in steel. Maximum operating pressure: 400 bar Adjustment hand-grip with locking screw



#### 2 ORDERING CODE

(1)					(2)		(3)
FT	251	/	2	-	S	-	

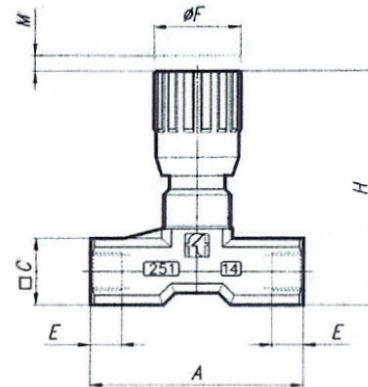
(1) FT251/2: flow control valve needle type. Steel body

(2) S: special variant

(3) dimensions:

- 14: Ports 1/4" BSP, Qmax 16 l/min,  
A 46 - C 17 - E 12 - ØF 22 - H 61 - M 4,5
- 38: Ports 3/8" BSP, Qmax 30 l/min,  
A 55 - C 22 - E 13 - ØF 27 - H 74 - M 7
- 12: Ports 1/2" BSP, Qmax 60 l/min,  
A 70 - C 27 - E 16 - ØF 33 - H 85,5 - M 10

( subject to technical and dimensional changes without notice)



#### 3 TYPICAL DIAGRAMS

