

HYDRAULIC SCREW-IN VALVES Ex proof II 2 GD, Ex db IIC T5 Gb, Ex tb IIIC T100 °C Db IP66/67

EVX-06-D5

25 l/min 25 MPa (250 bar)

1 DESCRIPTION

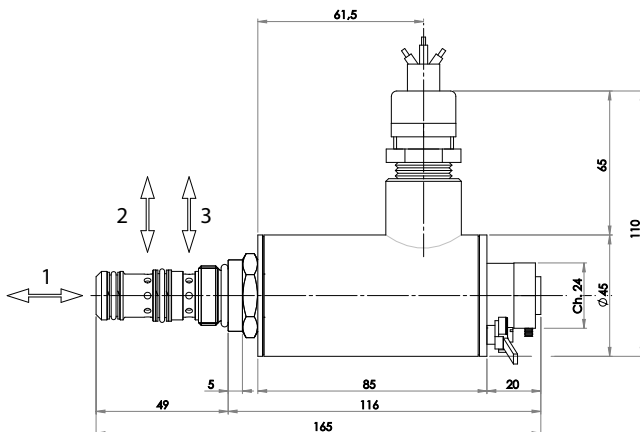
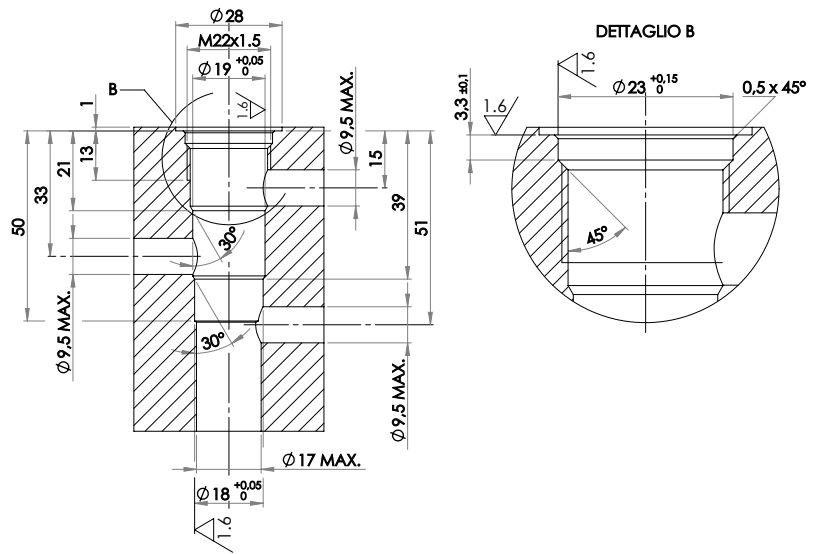
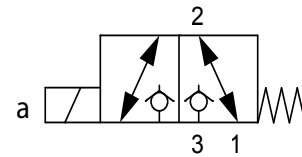
Valves EVX-06-D5 are ATEX directional control valve in cartridge style poppet type. It is suitable for a 3 way metric cavity M22 x 1,5. The valve is available with ATEX metallic DC and AC solenoids. The coil is Zinc-nichel coated for an enhanced surface protection (ISO 9227, 520 h salt spray). Protection according to IEC 144: Class IP67- External surfaces nickel coated (min. thickness 7 microm) Connection: 3X1,5mm² wire cable (CEI 20-22), length 3 m already connected to coil. Electrical connection must be accordance to Ex-proof norm ATEX. Earth connection both internal, with yellow-green wire in the cable, and external with a minimum 4mm² cablefastened to earth screw.



2 ORDERING CODE

(1)	(2)	(3)	(4)	(5)	(6)
EVX	- 06	- D5	-	-	/ 25

- (1) EVX: Ex-proof solenoid operated screw-in poppet valve
- (2) 06: normal port size
- (3) D5: three way type
- (4) Coils:
 - 012C: 12V DC-0,92A
 - 024C: 24V DC-0,46A
 - 115A: 115V AC-0,10A
 - 230A: 230V AC-0,05A
- (5) Length cable :
 - no designation: standard 1,5m cable
 - 5: 5m
 - 10: 10m
 - 16: 16m
 - 20: 20m
- (6) /25: Design number of the valves ATEX solenoid for G and D



3 TECHNICAL DATA

Suitable for standard cavity:	M22 x 1,5
Solenoids according to ATEX 94/9/CE and conform to EN 50281-1-1 EN 60079-0:2012/A11:2013 EN 60079-1:2014 EN 60079-31:2014	
ATEX code/class:	II 2 GD Ex db T5 Gb & Ex tb T 100 C° Db
Certificate:	INERIS 05ATEX0028X/01 (on request)
Max. operating pressure:	250 bar
Max. flow rate:	25 l/min
Duty cycle:	100%
Materials:	Steel body, poppet in tempered and grinded steel
Mass	1,45 kg (coil included)

