

SCREW IN, 2-WAY SOLENOID OPERATED POPPET VALVES NORMALLY CLOSED,  
CAVITY 3/4" 16 UNF Ø 12,7 mm ONE DIRECTIONAL FLOW

## EVC-34-\*

40 l/min 25 MPa (250 bar)

### 1 DESCRIPTION

The valve is a pilot operated 2 way NC poppet type. It is the basic valve without manual override and filter.

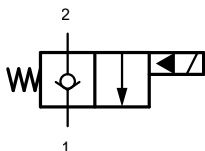
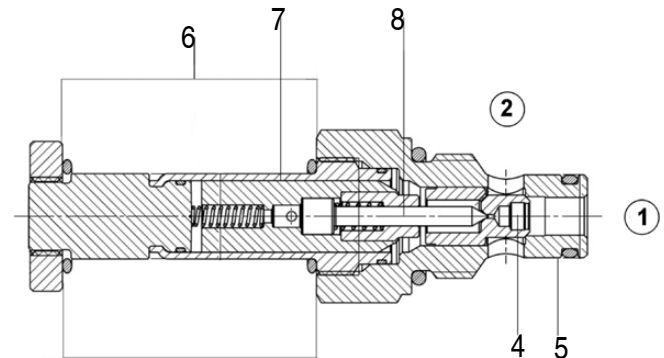
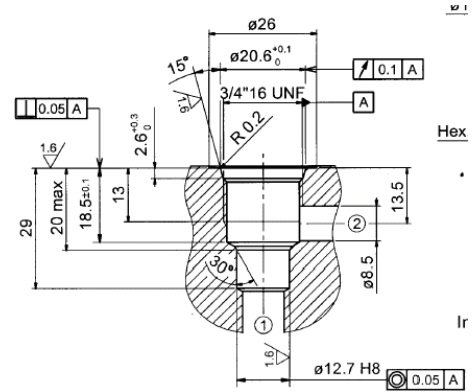
With his design, it is possible to use the valve with standard coils suitable for AC and DC current without the need of special connectors with integrated rectifiers.



### 2 ORDERING CODE

(1)	(2)	(3)	(4)	(5)	(6)	(7)
EV	C	- 34	- 03	-	-	-

- (1) EV : screw-in directional solenoid valve
- (2) C : valve with Ø 13 mm solenoid core (see [4]), 2 way, 2 position, poppet type, normally closed, one direction flow
- (3) 34 : cavity 3/4 " 16 UNF with Ø 12,7 mm
- (4) Valves variants  
03: without manual override
- (5) Electric voltage and solenoid coil (see [3], see [7])  
0000 : no coil  
012C : coil for V12DC  
024C : coil for V24DC  
220R : coil for V220-230 RAC  
230/50 : coil for V230/50 AC
- (6) Options for coil connection (see [3])  
no designation : standard connection ISO4400/DIN 43650/A  
C : flying leads;  
A: AMP Junior
- (7) Options for ISO4400/DIN 43650/A connectors(see [6])  
B9 : standard connector, black PG9  
D9 : black connector, with diode, PG9  
ES : "energy saving" connector with LED  
R\* : rectifier bridge;  
L\*:LED;  
V\*:LED+varistor

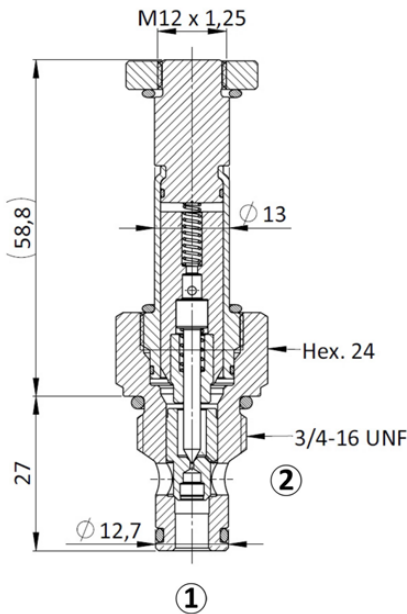


The poppet 4 is pilot operated and it is kept normally closed against its seat 5. When the solenoid 6 is energized, the mobile armature 7 and the pilot pin 8 are shifted and the poppet, unbalanced by pressure, opens permitting flow from 2 to 1.

### 3 TECHNICAL DATA

Max. nominal pressure	25 MPa (250 bar)	Electric Characteristics: Those solenoid valves are normally equipped by coils type C30, which are energized from DC or AC supply (see ). Coils type C30-***C are DC energized directly from V***DC supply. Coils type C30-***R are RAC (Rectified Alternate Current) energized from a V***AC supply, by a full wave bridge rectifier incorporated in the connector. Solenoid valves type EVC.34. can also be AC energized, directly from a V***AC supply, by using appropriate C30-***/50 or C30-***/60 coils. (*) Caution : with AC operation, the inrush current can be up to 3-4 times the nominal holding value. Coils type C30 are normally provided for use of ISO 4400/DIN 43650/A connectors. For coils with different connection to the power supply, see table C30/36.
Nominal flow rate	32 l/min	
Max. rec. flow rate	40 l/min	
Dimension and installation	see 4	
Duty cycle	ED 100%	
Mass (without coil)	0,120 kg	

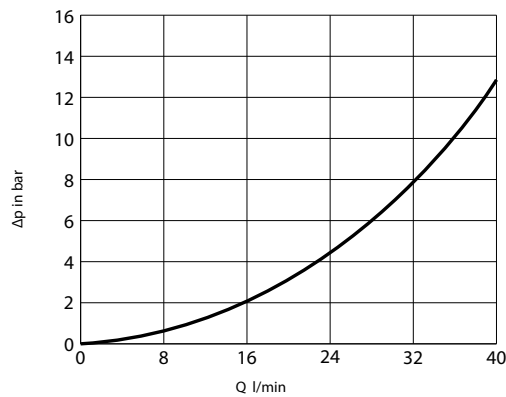
### 4 INSTALLATION DIMENSIONS (mm)



EV\*.34 valves are to be installed in cavity 3/4" 16 UNF with Ø 12,7 mm. Check the appropriate state and position of the seals and , screw the valve in the cavity and lock it with a torque of about 45 Nm applied on the 24 mm hexagon.

### 5 PRESSURE DROPS

Viscosity 42 cSt at 50°C.



### 6 CONNECTORS

Standard coils are compatible with KA-132 connectors; for some functions (R\* = bridge rectifier, L\* = LED, etc.) the voltage has to be specified :

1 = V12, V24    2 = V115    3 = V230

The "energy saving" connectors – option ES – save current consumption to less than 50% of the nominal and strongly reduce warming up of the coils.

### 7 COILS TYPE C30 ( Ø 13mm- 18w: 35 VA)

Coils ISO/DIN	voltage DC/RAC	nominal current (A)	resistance 20° C (Ω)	nominal power (W)	insulation class
C30-012C	V 12 DC	1,55	7,7	18,6	F
C30-024C	V 24 DC	0,8	31	19	
C30-024R	V 24 RAC	0,85	27	18,3	
C30-048C	V 48 DC	0,4	116	19	
C30-048R	V 48 RAC	0,4	106	17,3	
C30-110R	V 110-115 RAC	0,16	600	16	
C30-220R	V 220-230 RAC	0,08	2500	16	
	<b>AC</b>	<b>(*)</b>		<b>(VA) (*)</b>	
C30-024/50	24V 50 Hz	0,9	5,3	35	F
C30-110/50	110-115V 50 Hz	0,2	108		
C30-230/50	220-230V 50 Hz	0,1	438		
C30-110/60	110-115V 60 Hz	0,3	92		
C30-220/60	220-230V 60 Hz	0,15	375		

(\*) Caution : with AC operation, the inrush current can be up to 3-4 times the nominal holding value

