

45 mm COIL SERIES

C45 COILS

Ø 19 mm - 33 W

1 DESCRIPTION

- Magnetic circuit encapsulated with thermoplastic resins.
- Standard colour black.
- Metallic parts protected against oxidation.

2 ORDERING CODE

(1)	(2)	(3)
C45	-	-

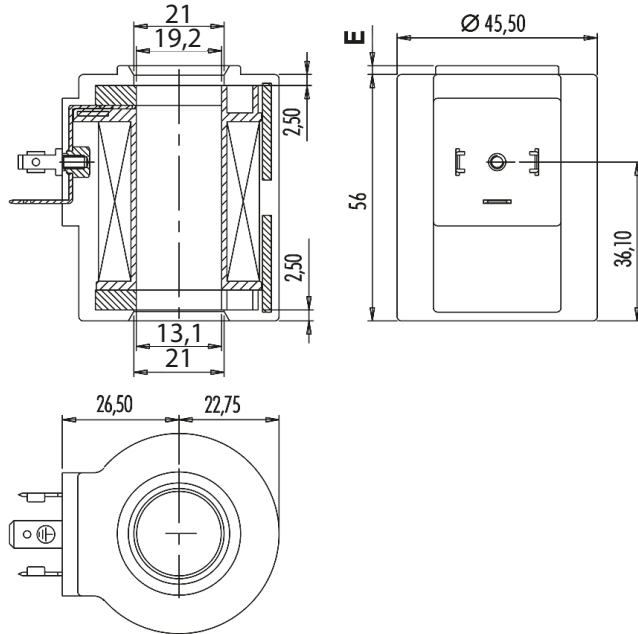
(1) C38: Coil type

(2) Electric voltages:

- 012C
- 024C
- 024R
- 048R
- 110R
- 220R

(3) Connections:

- no designations: DIN 43650/A
- C: flying leads
- K: Kostal M27x1
- A: AMP Junior

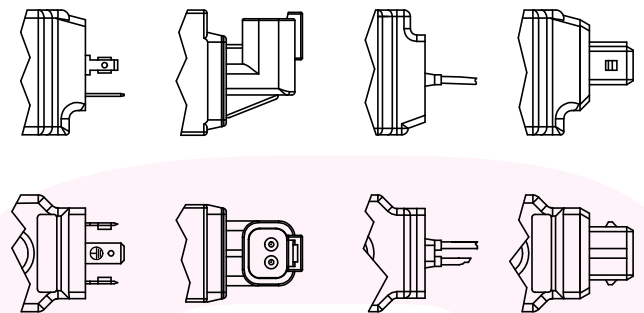


3 TECHNICAL DATA

Typical nominal voltages	- 12-24VDC - 24-110-220-230 VAC
Class H coil as from the IEC	85 standard
Class H wire	200°C
Duty cycle	ED 100% code, voltages, currents and power consumption.
see table for coils:	012C, 024C, 048C for VDC 024R, 110R, 220R for RAC (rectified alternate current)

4 CONNECTION OPTIONS

DIN 4365/A-ISO 4400 DEUTSCH FLYING LEADS AMP JUNIOR



5 TECHNICAL DATA

Coil with ISO/DIN connector	voltage DC	nominal current (A)	resistance cold (Ω)	nominal power (W)	insulation class
C45-012C	V 12 DC	2,75	5,6	33	H
C45-024C	V 24 DC	1,75	22,2	33	
C45-024R	V 24 RAC	1,5	18	36	
C45-048C	V 48 DC	0,68	88	33	
C45-110R	V 110-115 RAC	0,33	380	36	
C45-220R	V 220-230 RAC	0,16	1500	36	