

ISO 03 PLATE

BM3-G

80 l/min 30 MPa (300 bar)

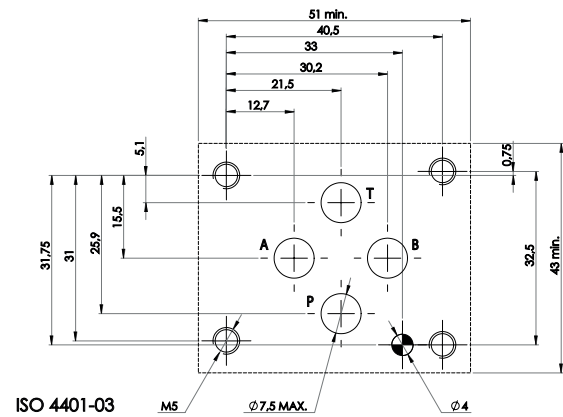
1 DESCRIPTION

BM3-G is a multi functional CETOP 3 manifold useful to combine many options. It has a standard cavity 7/8" 16 UNF where is possible to install a pressure relief valve, direct operated or pilot operated or proportional. It is possible to have also a by-pass function integrated in the manifold.

2 ORDERING CODE

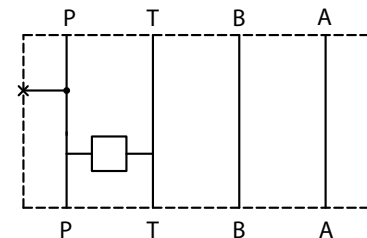
(1)	(2)	(3)	(4)
BM	-	3	- G / *

- (1) BM: Multi function base plate
- (2) 3: CETOP 3
- (3) G: Ports with G3/8" threads
- (4) *: Different options see [5](#)

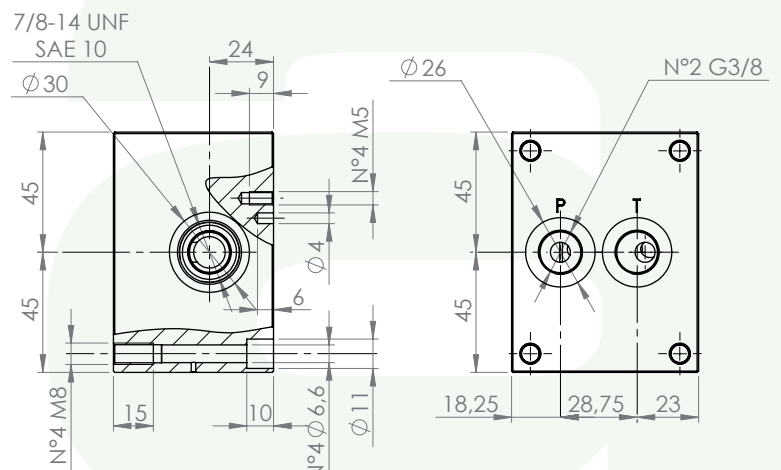
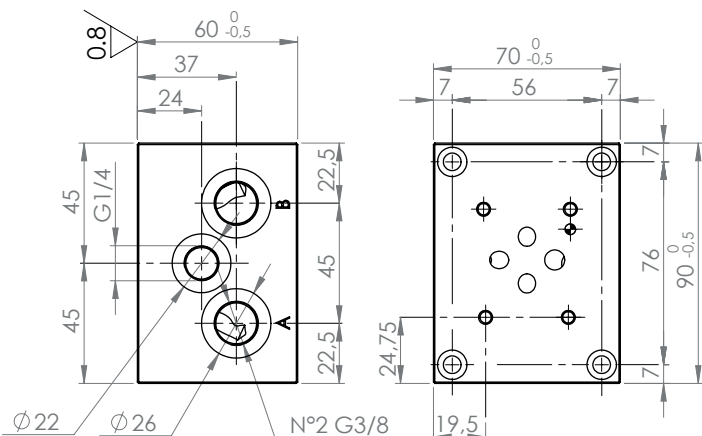


3 TECHNICAL DATA

Material:	Aluminium alloy
Coating	black anodizing
Max pressure	300 bar
Max flow rate	60 l/min
Mass	0,9 Kg



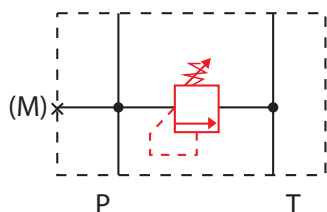
4 INSTALLATION DIMENSIONS



See [5](#) for options

5 OPTIONS

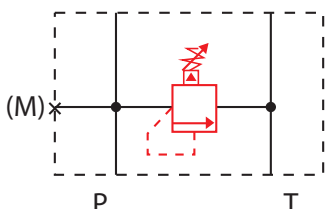
RELIEF VALVE, DIRECTLY OPERATED



- 16: Pressure setting 50-116 bar
- 20: Pressure setting 110-220 bar
- 32: Pressure setting 200-320 bar

Example ordering code: **BM3-G/20**

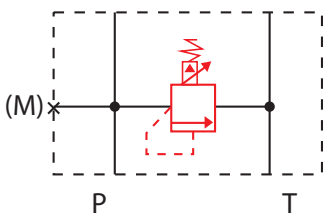
RELIEF VALVE, PILOT OPERATED



- 16: Pressure setting 50-116 bar
- 20: Pressure setting 110-220 bar
- 32: Pressure setting 200-320 bar

Example ordering code: **BM3-G/P20**

RELIEF VALVE, ELECTRICALLY PROPORTIONAL PILOT OPERATED

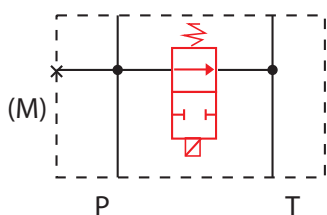


- PR12: Pressure up to 120 bar
- PR21: Pressure up to 210 bar
- PR35: Pressure up to 350 bar

Example ordering code: **BM3-G/PR20**

(*) for more details about proportional valve see datasheet PMO*-78

BY-PASS ELECTRICALLY OPERATED VALVE



- NO: Normally open
- NC: Normally closed

Example ordering code: **BM3-G/NO**

6 INSTALLATION DIMENSIONS example

