

REGENERATIVE MODULAR VALVE

AM5-RGT

80 l/min – 21 MPa (210 bar)

1 DESCRIPTION

The regenerative function of this valve provides consist in a increase of the actuator (differential cylinder) exit speed as shown in the diagram. When used with a cylinder with a 2:1 ratio of the operating surfaces the exit and re-entry speeds will be equal. The standard surface treatment of the body is phosphate coating, valves are zinc plated. Optional Zinc-Nickel coating (720h) is available

2 ORDERING CODE

(1)	(2)	(3)	(4)	(5)	(6)
AM3	-	RGT	/	-	/ 10

(1) Stackable valve CETOP 05 - Pressure 210 bar

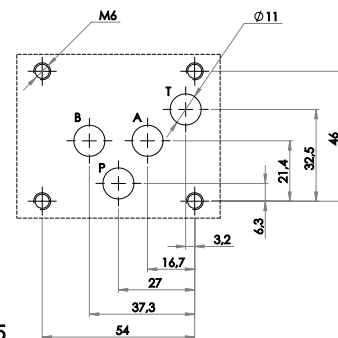
(2) RGT: regenerative circuit

(3) Regeneration flow
no designation (standard): flow from B to P

(4) Check valve opening (cracking) pressure (Pm)
no designation (standard): 0,3 MPa (3 bar)
5: 0,05 MPa (0,5 bar)
10: 0,1 MPa (1 bar)
25: 0,25 MPa (2,5 bar)

(5) Code reserved for option and variants:
V: Viton seals

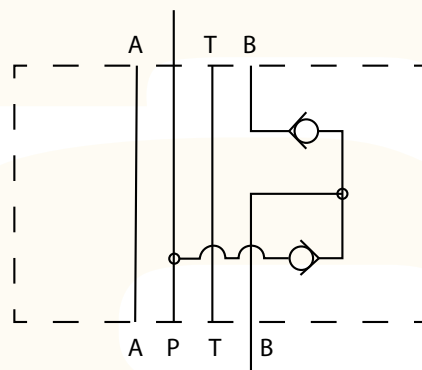
(6) Design number (progressive) of the valve

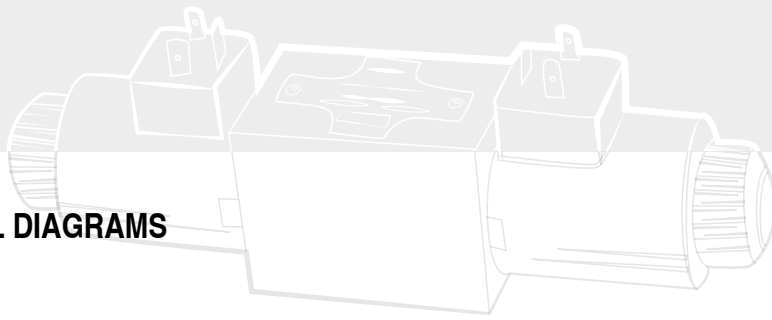


ISO 4401-05

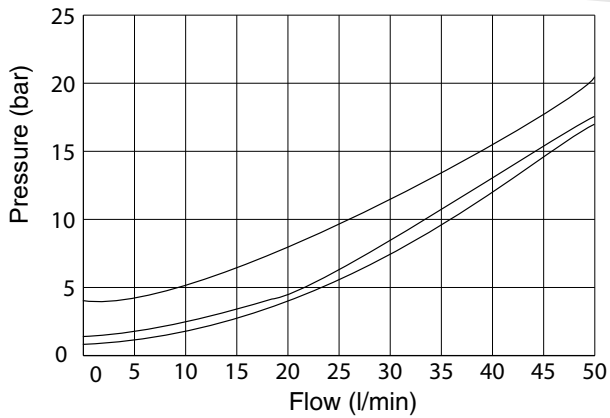
3 TECHNICAL DATA

Maximum rec. Flow rate	80 l/min
Maximum nominal pressure	21 MPa (210 bar)
Pressure curves	See [4]
Installation dimensions	see [5]
Weight	Approx. 1.8 kgs

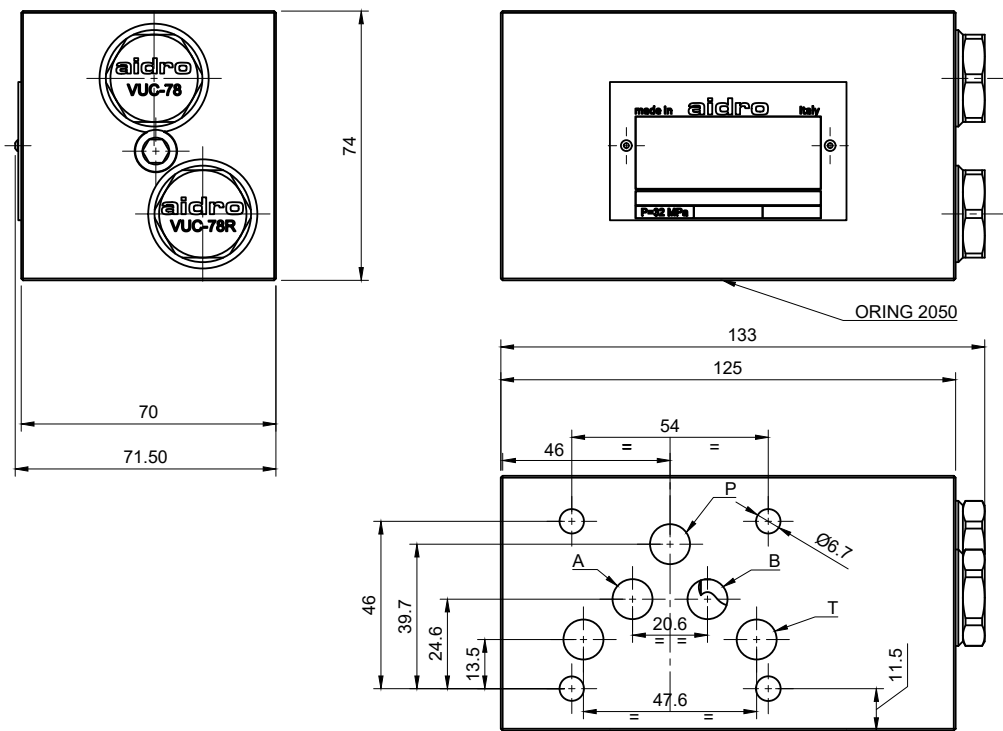




4 TYPICAL DIAGRAMS



5 INSTALLATION DIMENSIONS



6 HYDRAULICS FLUID

Seals and materials used on standard valves AM5-RGT are fully compatible with hydraulic fluids of mineral oil base, upgraded with antifoaming and antioxidantizing agents. The hydraulic fluid must be kept clean and filtered to ISO 4406 class 19/17/14, or better, and used in a recommended viscosity range from 10 cSt to 60 cSt