

REGENERATIVE MODULAR VALVE

AM3-RGT

30 l/min – 25 MPa (250 bar)

1 DESCRIPTION

The regenerative function of this valve provides consist in a increase of the actuator (differential cylinder) exit speed as shown in the diagram. When used with a cylinder with a 2:1 ratio of the operating surfaces the exit and re-entry speeds will be equal. The standard surface treatment of the body is phosphate coating, valves are zinc plated. Optional Zinc-Nickel coating (720h) is available

2 ORDERING CODE

(1)	(2)	(3)	(4)	(5)	(6)
AM3	- RGT	/	-	/	10

(1) Stackable valve CETOP 03 - Pressure 350 bar

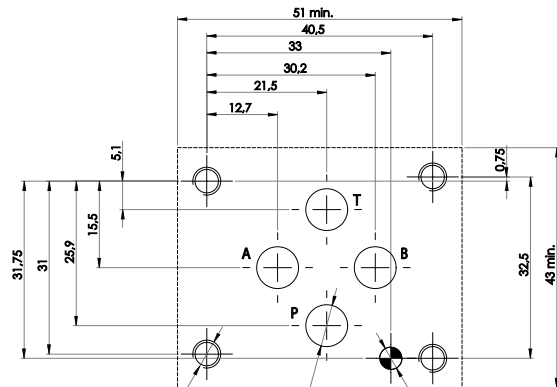
(2) RGT: regenerative circuit

(3) Regeneration flow
no designation (standard): flow from A to P
AB: flow from A to B

(4) Check valve opening (cracking) pressure (Pm)
no designation (standard): 0,3 MPa (3 bar)
5: 0,05 MPa (0,5 bar)
10: 0,1 MPa (1 bar)
25: 0,25 MPa (2,5 bar)

(5) Code reserved for option and variants:
V: Viton seals

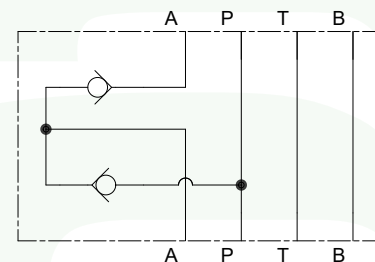
(6) Design number (progressive) of the valve

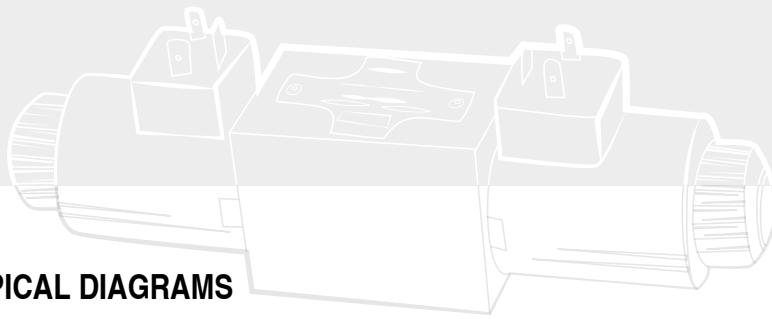


ISO 4401-03

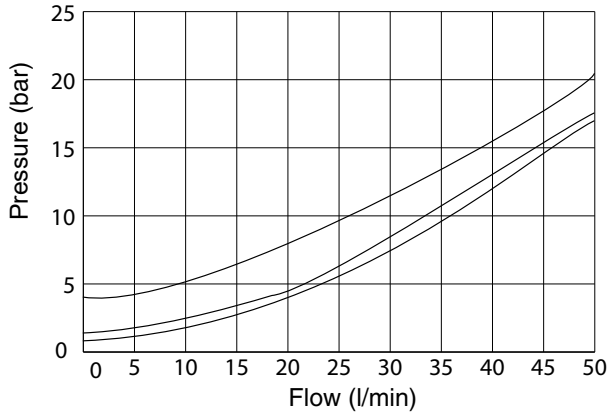
3 TECHNICAL DATA

Maximum rec. Flow rate	30 l/min
Maximum nominal pressure	25 MPa (250 bar)
Pressure curves	See 4
Installation dimensions	see 5
Weight	Approx. 1,7 kg

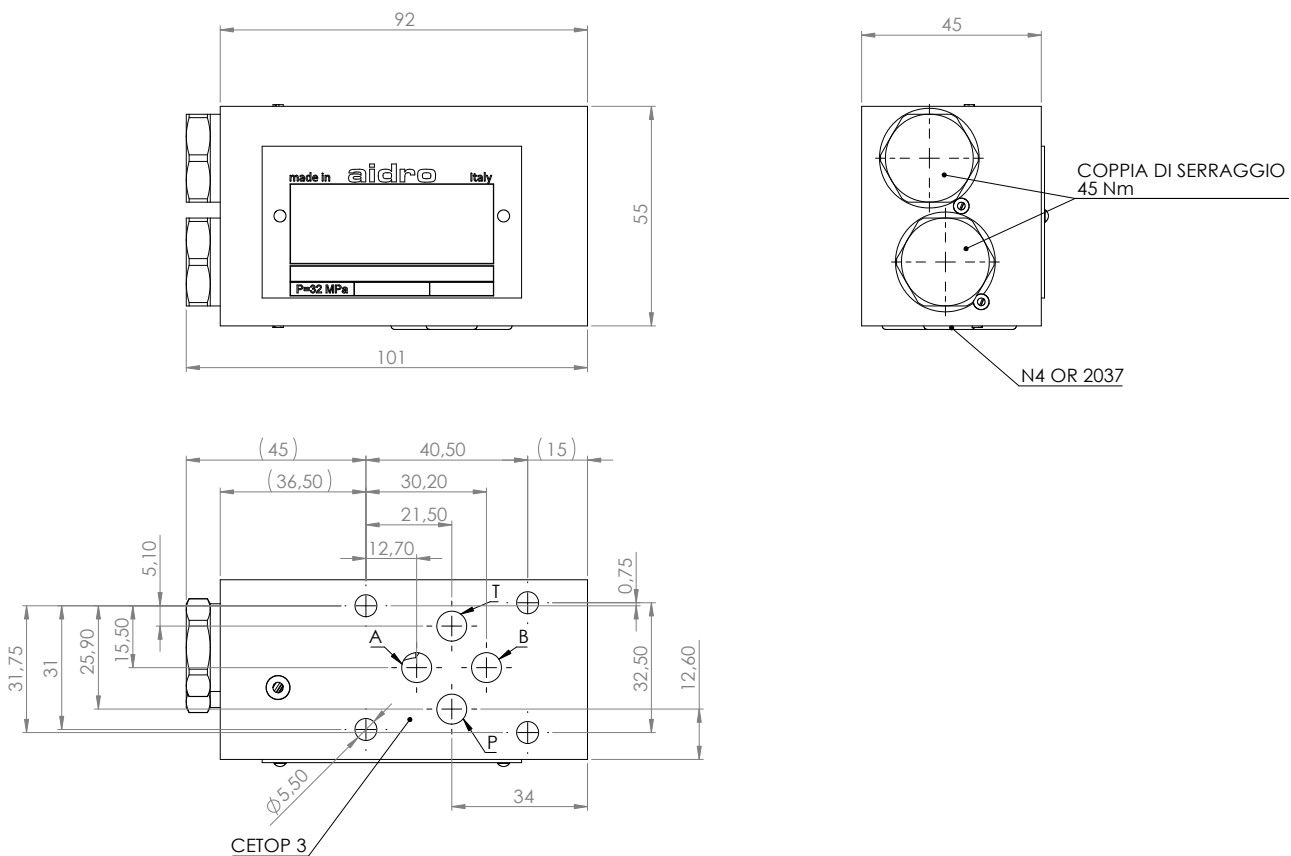




4 TYPICAL DIAGRAMS



5 INSTALLATION DIMENSIONS



6 HYDRAULICS FLUID

Seals and materials used on standard valves AM3-RGT are fully compatible with hydraulic fluids of mineral oil base, upgraded with antifoaming and antioxidantizing agents. The hydraulic fluid must be kept clean and filtered to ISO 4406 class 19/17/14, or better, and used in a recommended viscosity range from 10 cSt to 60 cSt