

MAXIMUM PRESSURE VALVE DIRECT-ACTING

MO-2/**

30 l/min 35 MPa (350 bar)

1 DESCRIPTION

MO-2 is a direct operated pressure relief valve in a special cavity 3/4" 16UNF but with larger nose thus with better performances. The external surface is zinc coated. There are three different pressure settings for a more accurate regulation.



2 ORDERING CODE

(1)		(2)		(3)
MO	-	2	/	

(1) MO: pressure valve

(2) 2: nominal size

(3) Pressure ranges:

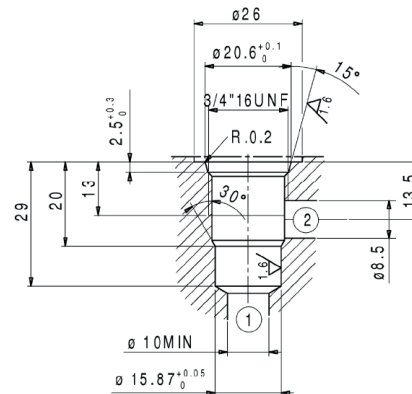
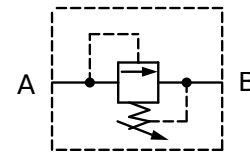
10: min-max operating pressure 20-130bar, 16,5 l/min

20: min-max operating pressure 40-220bar, 25,5 l/min

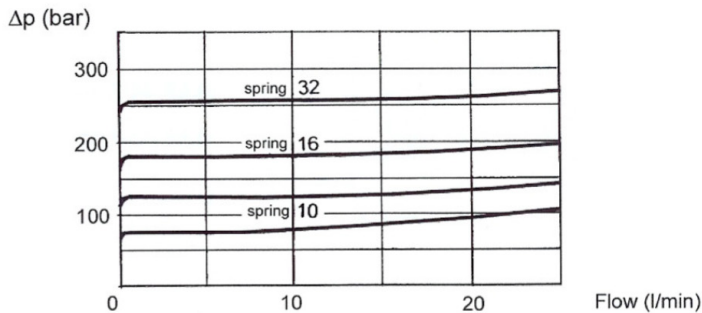
32: min-max operating pressure 60-350bar, 51 l/min

3 TECHNICAL DATA

Maximum nominal pressure	35 MPa 350 bar
Maximum rec. flow rate	30 l/min
Mass	0,13 Kg



4 TYPICAL DIAGRAMS



5 INSTALLATION DIMENSIONS

