

## PRESSURE RELIEF VALVE WITH UNLOADING AND PRESSURE SELECTION

### GMG\*-\* /60

400 l/min 35 MPa (350 bar)

#### 1 DESCRIPTION

Solenoid pressure relief valve with unloading and pressure selection. There are two different sizes for flow rates up to 400 l/min and 5 different configurations which permit a wide range of hydraulic configurations. The pilot valve is a CETOP 3 HD3-ES valve.



#### 2 ORDERING CODE

(1)	(2)	(3)	(4)	(5)	(6)	(7)
GMG	-	-	-	-	-	/ 60

(1) GMG: Pressure relief valve pilot operated

(2) Nominal dimensions

5: max flow rate 250 l/min

7: max flow rate 400 l/min

(3) Pressure adjustment range

3: up to 70 bar

5: up to 210 bar

7: up to 350 bar

(4) Versions: A, B, C, D, G ( see 5)

(5) Standard - screw regulation

M - SICBLOC knob available on the main pressure control

(6) Electric voltage and solenoid coils (DIN 43650-A ISO 4400)

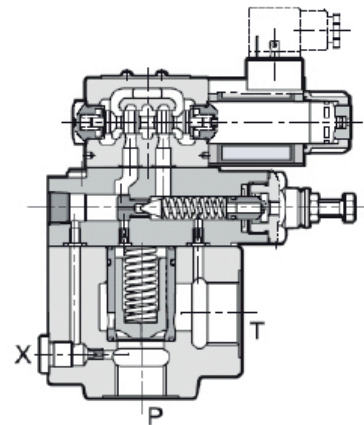
012C: coil(s) for V12DC

024C: coil(s) for V24DC

115A: coil(s) for V110/50 – V 115/60 AC

230A: coil(s) for V220/50 – V 230/60 AC

(7) Series number



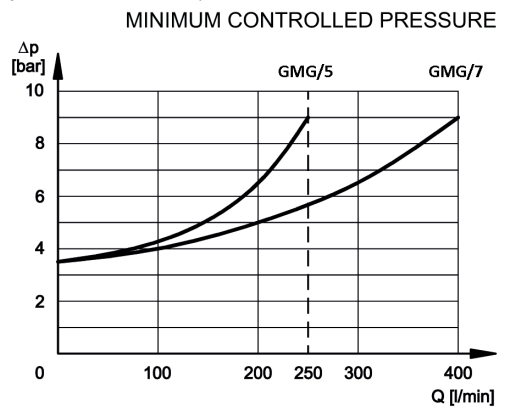
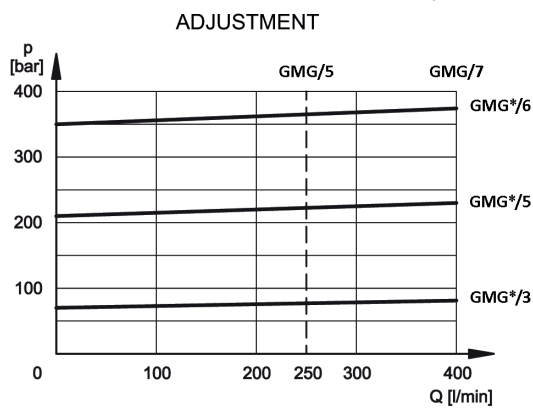
GMG\*-/60 are pilot operated pressure relief valves, available in 5 versions and up to 3 selections of pressure values. In order to set the 2nd and 3rd value, a pressure relief valve must be placed between the main body and the solenoid valve. Valves are normally supplied with a hexagonal head adjustment screw (SICBLOC adjustment knob on the main pressure control is available upon request)

### 3 TECHNICAL DATA

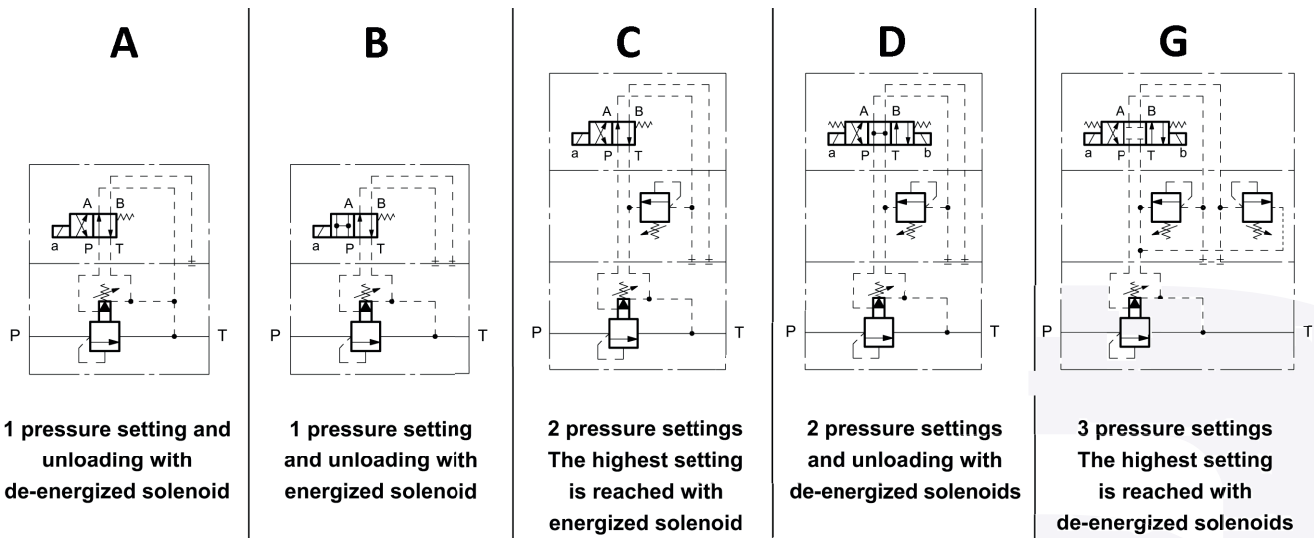
Max. flow	up to 400	Hydraulic fluids: Seals and materials used on standard valves GMG*/60 are fully compatible with hydraulic fluids of mineral base, upgraded with antifoaming and anti oxidizing agents. The hydraulic fluid must be kept clean and filtered to ISO 4406 class 19/17/14, or better, and used in a recommended viscosity range from 10 cSt to 60 cSt.
Max. nominal pressure	35 MPa (350 bar)	
Ambient T	-20 + 50 °C	
Fluid T range	-20 + 80 °C	
Fluid viscosity range	10 - 400 cSt	
Recommended viscosity	10 cSt - 60 cSt	

### 4 TYPICAL DIAGRAMS

Typical P-Q curves for valves GMG\*/60 are obtained with mineral oil at viscosity 36 cSt at T = 50 °C.

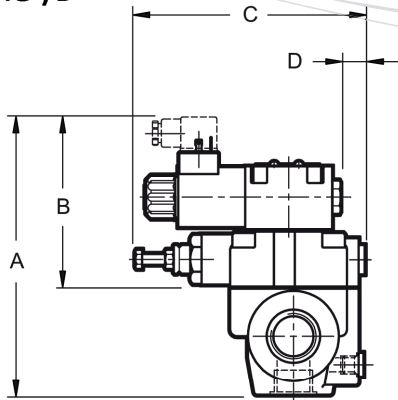


### 5 VERSIONS

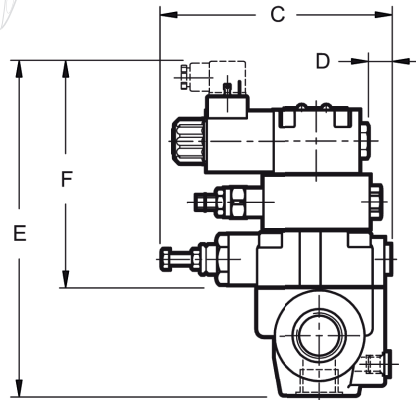


## 6 INSTALLATION DIMENSIONS

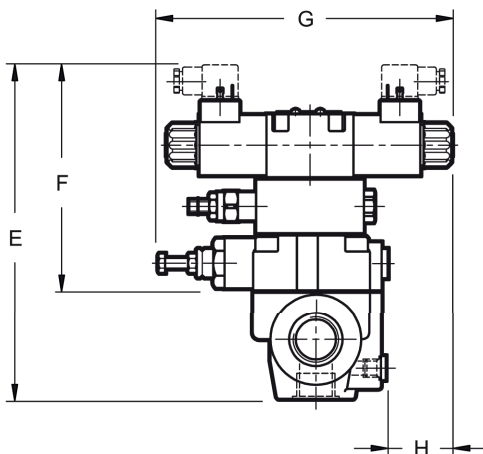
GMG\*/A  
GMG\*/B



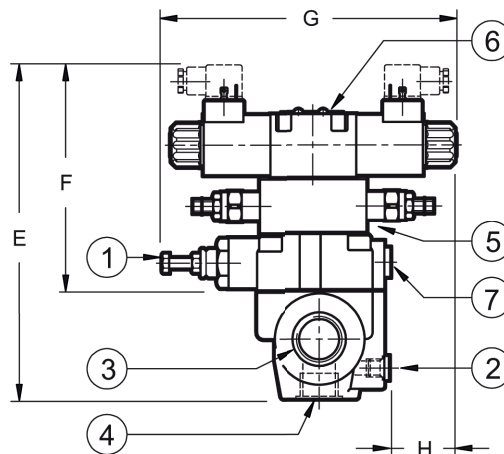
GMG\*/C



GMG\*/D



GMG\*/G



	A	B	C	D	E	F	G	H
GMG-5*	186	126	22	179	164	226	223	44
GMG-7*	192	126	14	170	164	236	222	52

## 7 HYDRAULIC FLUIDS

Seals and materials used on standard valves GMG\*/60 are fully compatible with hydraulic fluids of mineral base, upgraded with antifoaming and anti oxidizing agents. The hydraulic fluid must be kept clean and filtered to ISO 4406 class 19/17/14, or better, and used in a recommended viscosity range from 10 cSt to 60 cSt.