

FLOW CONTROL VALVE TYPE

FT243/5-38

20 l/min 25 MPa (250 bar)

1 DESCRIPTION

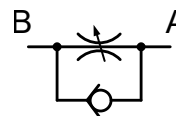
Those valves are to be mounted in very simple cavities M18x1 (see drawing) and give free flow in one direction and adjustable controlled flow on the reverse direction.



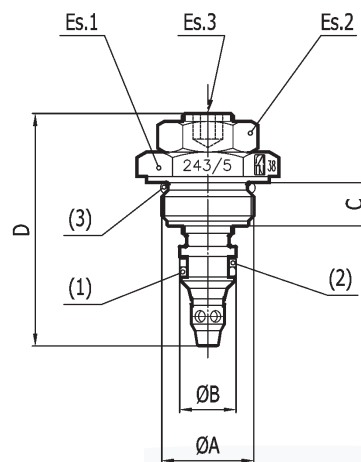
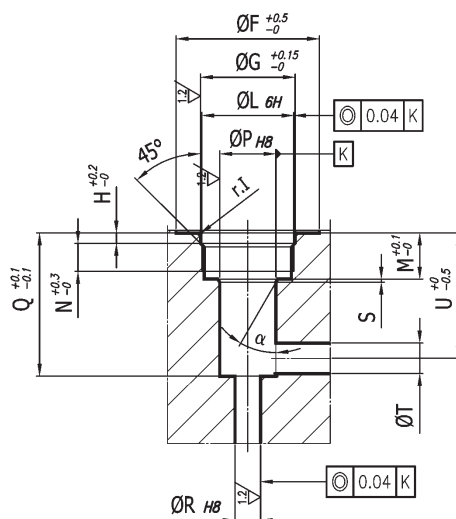
2 ORDERING CODE

(1)					
FT	243	/	5	-	38

(1) FT243/5: 1 way flow control valve needle type



(subject to technical and dimensional changes without notice)



3 TYPICAL DIAGRAMS

