

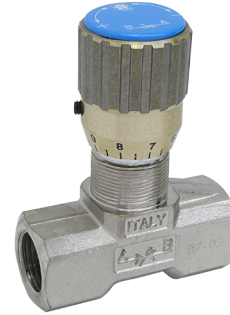
FLOW CONTROL VALVES

FT1251/2-01

21 MPa (210 bar)

1 DESCRIPTION

Flow control valves, needle type 2-way flow control, adjustable.
 BSP thread ports for in-line assembly. Brass body, poppet and spring in steel. Maximum operating pressure: 210 bar.
 High adjustment accuracy due to its precision hand-grip with locking screw



2 ORDERING CODE

(1)					(2)	(3)
FT	1251	/	2	-	S	-

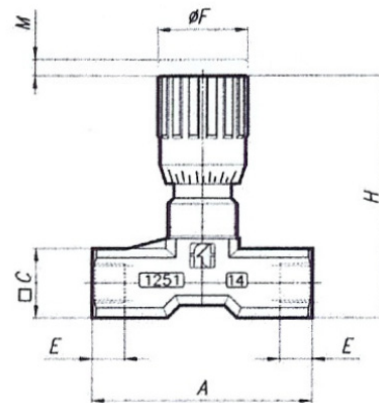
(1) FT1251/2: flow control valve needle type. Brass body

(2) S: special variant

(3) dimensions:

- 14: Ports 1/4" BSP, Qmax 16l/min,
A 46 - C 17 - E 12 - ØF 22 - H 57 - M 4,5
- 38: Ports 3/8" BSP, Qmax 30l/min,
A 55 - C 22 - E 13 - ØF 27 - H 69 - M 7
- 12: Ports 1/2" BSP, Qmax 60l/min,
A 70 - C 27 - E 12 - ØF 33 - H 82 - M 10

(subject to technical and dimensional changes without notice)



3 TYPICAL DIAGRAMS

