

# HYDRAULIC SCREW-IN VALVES proof II 2 GD, Ex d IIC T5

## EVX-\*-C5

25 l/min 25 MPa (250 bar)

### 1 DESCRIPTION

Valves EVX-\*-C5 are ATEX directional control valve in cartridge style poppet type. It is suitable for 2 way metric cavity M22 x 1,5 or cavity SAE 08 . The valve is available with ATEX metallic DC and AC solenoids. The coil is Zinc-nichel coated for an enhanced surface protection (ISO 9227, 520 h salt spray).

Protection according to IEC 144: Class IP67- External surfaces zinc-nichel coated (min. thickness 7 micron)

Connection: 3,5 mm<sup>2</sup> wire cable (CEI 20-22), length 1,5 m already connected to coil. Electrical connection must be accordance to Ex-proof norm ATEX. Earth connection both internal, with yellow-green wire in the cable, and external with a minimum 4mm<sup>2</sup> cable fastened to earth screw.

### 2 ORDERING CODE

(1)	(2)	(3)	(4)
EVX	-	-	C5

(1) EVX: Ex-proof solenoid operated screw-in poppet valve

(2) Size:

06: metric cavity M22x1,5 See [5](#)

34: SAE 08 cavity 3/4" 16 UNF See [5](#)

(3) C5: two way type

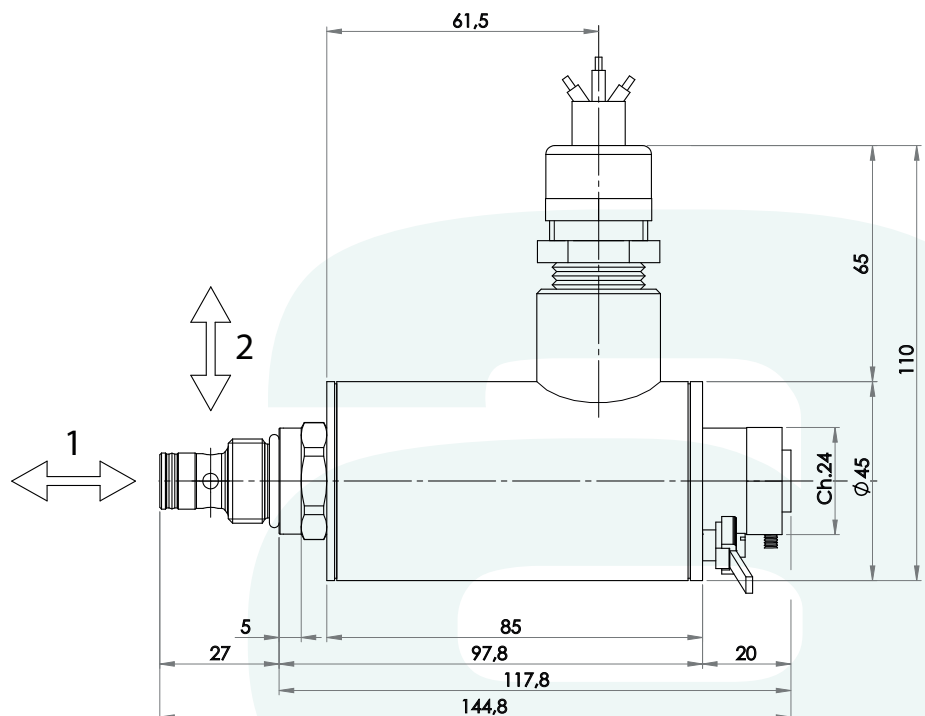
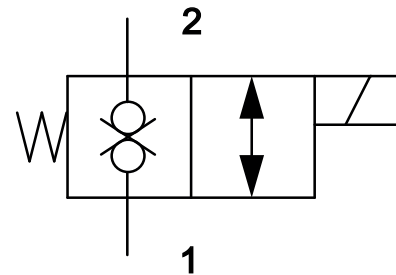
(4) Coils:

012C: 12V DC-0,92A

024C: 24V DC-0,46A

115A: 115V AC-0,10A

230A: 230V AC-0,05A

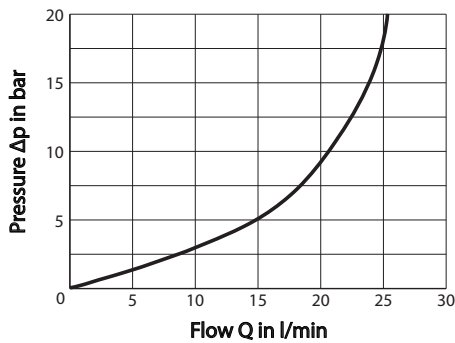


### 3 TECHNICAL DATA

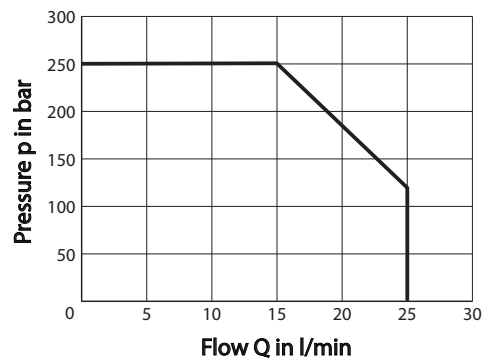
Suitable for standard cavity:	M22 x 1,5 or SAE 08
Solenoids according to ATEX 94/9/CE and conform to EN 50281-1-1	
ATEX code/class:	II 2 GD Ex d II C T5
Certificate:	INERIS 05ATEX0028X/02
Max. operating pressure:	250 bar
Max. flow rate:	25 l/min
Duty cycle:	100%
Materials:	Steel body, poppet in tempered and grinded steel
Mass	1,40 kg (coil included)

### 4 TYPICAL DIAGRAMS

Typical  $\Delta p$ -Q curves for valves EVX-\*-C5 in standard configuration, with mineral oil at 26 cSt and 50 °C



Typical p-Q curves of operating limits for maximum hydraulic power transferred by valves EVX-\*-C5



### 5 INSTALLATION DIMENSIONS (mm)

