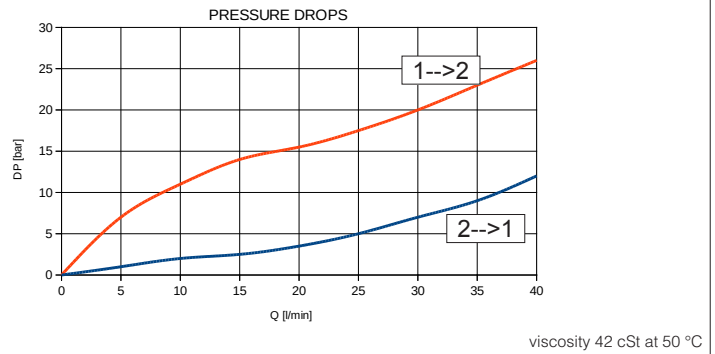


4 TECHNICAL DATA

Nominal flow	32 l/min
Maximum rec. flow rate	40 l/min
Maximum nominal pressure	32 MPa (320 bar)
Electric features	see 7
Duty cycle	ED 100%
Dimensions	see 6
Installation	see 9
Mass (without coil)	0,120 kg

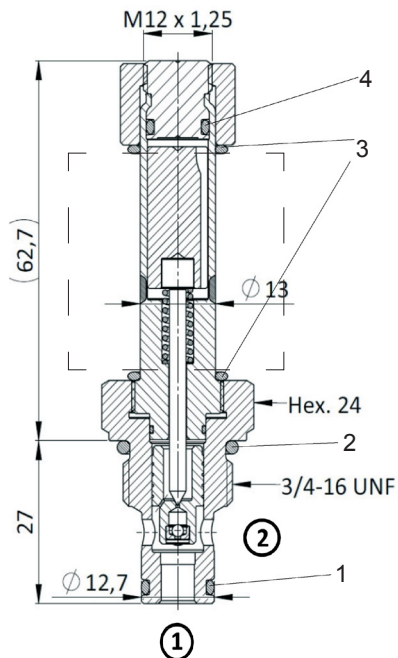


5 VARIANTS

02 : filter (0,25 mm) on way ② prevents from dirt and better diffuses the flow around the poppet.

02 and 04 : manual override is of pin type. Push the pin to shift the poppet and close (no flow between ② to ①); release the pin to restore the condition of normally open poppet (flow between ② to ①).

6 INSTALLATION DIMENSIONS



- 1) Dualseal 93 Sh 9,4x1,8x2,1
- 2) O-ring 70 Sh 16,36x2,21
- 3) O-ring 70 Sh 13,00x2,00
- 4) O-ring 70 Sh 7,65x1,78

7 ELECTRIC FEATURES

Those solenoid valves are normally equipped by coils type C30, which are energized from DC or AC supply (see 10).

Coils type C30-***C are DC energized directly from a V***DC supply.

Coils type C30-***R are RAC (Rectified Alternate Current) energized from a V***AC supply, by a full wave bridge rectifier incorporated in the connector.

Coils type C30 are normally provided for use of ISO 4400/DIN 43650/A connectors. For coils with different connection to the power supply, see table C30/36.

8 CONNECTORS

Standard coils are compatible with KA-132 connectors (see table); for some functions (R* = bridge rectifier, L* = LED, etc.) the voltage has to be specified :

1 = V12, V24 2 = V115 3 = V230

The "energy saving" connectors – option ES – save current consumption to less than 50% of the nominal and strongly reduce warming up of the coils – see table KA-ES.

9 INSTALLATION

EV*.34 valves are to be installed in cavity 3/4" 16 UNF with \varnothing 12,7 mm (see A and 6).

Check the appropriate state and position of the seals and, screw the valve in the cavity and lock it with a torque of about 40 Nm applied on the 24 mm hexagon.

10 COILS TYPE C30 (\varnothing 13 mm)

coils DIN	Voltage DC	Nominal current [A]	Resistance 20 °C [Ω]	Nominal Power [W]	Isulation class
C30-012C	V 12 DC	1,55	7,7	18,6	F
C30-024C	V 24 DC	0,80	31,0	19,0	
C30-024R	V 24 RAC	0,85	27,0	18,3	
C30-048C	V 48 DC	0,40	116	19,0	
C30-110R	V 100-115 RAC	0,16	600	16,0	
C30-220R	V 220-230 RAC	0,08	2500	16,0	

