



## 30 mm COIL SERIES

### C30 COILS

Ø 13 mm-18 w; 35 VA

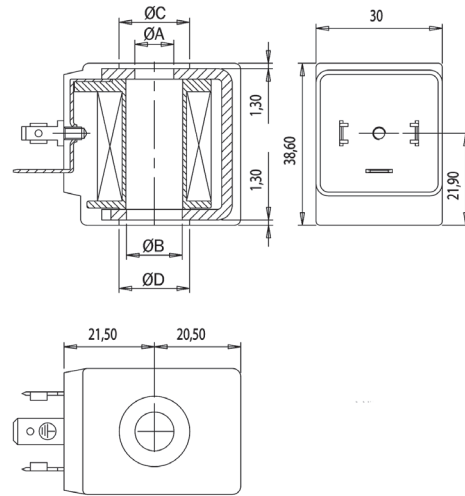
#### 1 DESCRIPTION

- Magnetic circuit encapsulated with fibre-glass reinforced nylon.
- Standard colour black.
- Metallic parts protected against oxidation.

#### 2 ORDERING CODE

(1)	(2)	(3)
C30	-	-

C30-\*\*\*\* : DIN 43650/A  
 C30/C-\*\*\*\* : flying leads  
 C30/K-\*\*\*\* : kostal M24x1  
 C30/A-\*\*\*\* : AMP Junior



#### 3 TECHNICAL DATA

Typical nominal voltages	- 12-24VDC - 24-110-220VAC and RAC
Class F coil as from the IEC	85 standard
Class H wire	200°C
Duty cycle	ED 100% code, voltages, currents and power consumption.
see table for coils:	012C, 024C, 048C for VDC 024R, 110R, 220R for RAC (rectified alternate current)
Frequency	024/50, 110/50, 230/50 for AC at 50Hz 110/60, 220/60 for AC at 60Hz

Coil with ISO/DIN connector	voltage DC	nominal current (A)	resistance cold ( )	nominal power (W)	insulation class
C30-012C	V 12 DC	1,55	7,7	18,6	F
C30-024C	V 24 DC	0,8	31	19	
C30-024R	V 24 RAC	0,85	27	18,3	
C30-048C	V 48 DC	0,4	116	19	
C30-048R	V 48 RAC	0,4	106	17,3	
C30-110R	V 110-115 RAC	0,16	600	16	
C30-220R	V 220-230 RAC	0,08	2500	16	
	AC	(*)		(VA) (*)	
C30-024/50	24V 50Hz	0,9	5,3	35	F
C30-110/50	110-115V 50Hz	0,2	108		
C30-230/50	220-230V 50Hz	0,1	438		
C30-110/60	110-115V 60Hz	0,3	92		
C30-220/60	220-230V 60Hz	0,15	375		

DIN 4365/A-ISO 4400      DEUTSCH      FLYING LEADS      AMP JUNIOR

