

AMF PRESSURE RELIEF VALVE

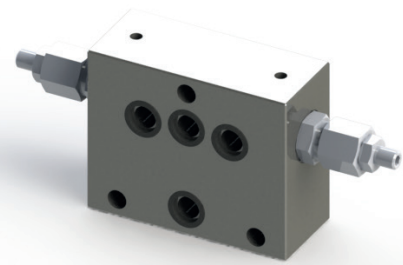
AMF-MO-BA

20 l/min - 25 MPa (250 bar)

1 DESCRIPTION

The module AMF-MO-BA is designed to control the maximum pressure in lines A and B. Two pressure relief valves direct operated can be set independently at different pressure levels.

The main body is in aluminium black anodized.



2 ORDERING CODE

(1)	(2)	(3)	(4)	(5)	(6)			
AMF	-	MO	-	BA	-	-	/	10

(1) AMF: module stackable with 4 way solenoid valve HDF2-ES

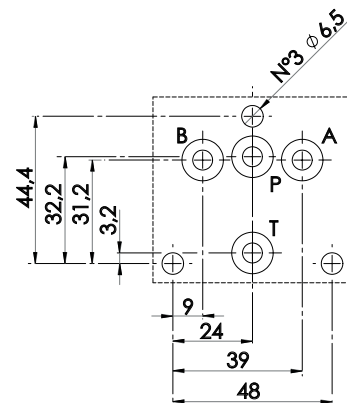
(2) MO: pressure relief valve

(3) BA: service lines where the control operates : A->T and B->T

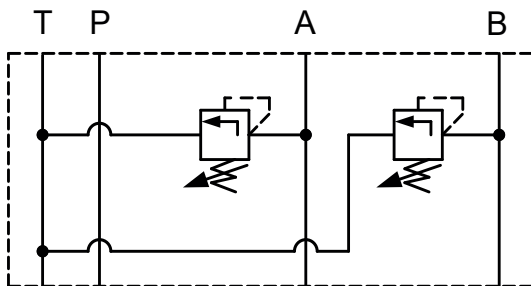
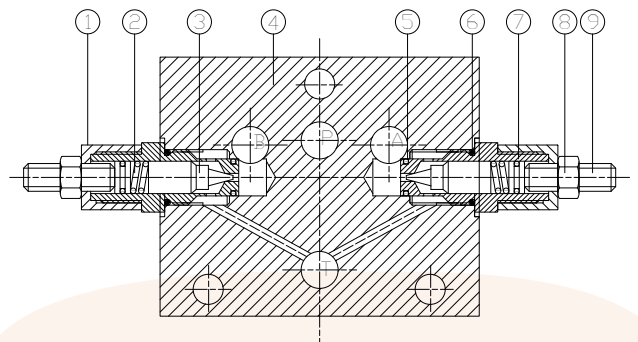
(4) Standard pressure range up to 250bar

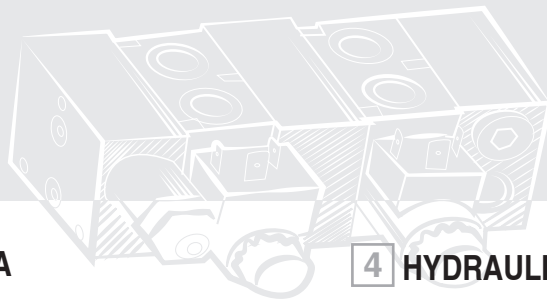
(5) Code reserved for option and variants

(6) Design number (progressive) of the valves



Relief pressure is reached when the axial hydraulic forces on piston 3 equal the force on spring 2 ; the value of the relief pressure can be therefore changed, within the range, by changing the compression of spring 2. To increase the relief pressure, turn clock wise the adjustment screw 9, after having unlocked its nut 8.





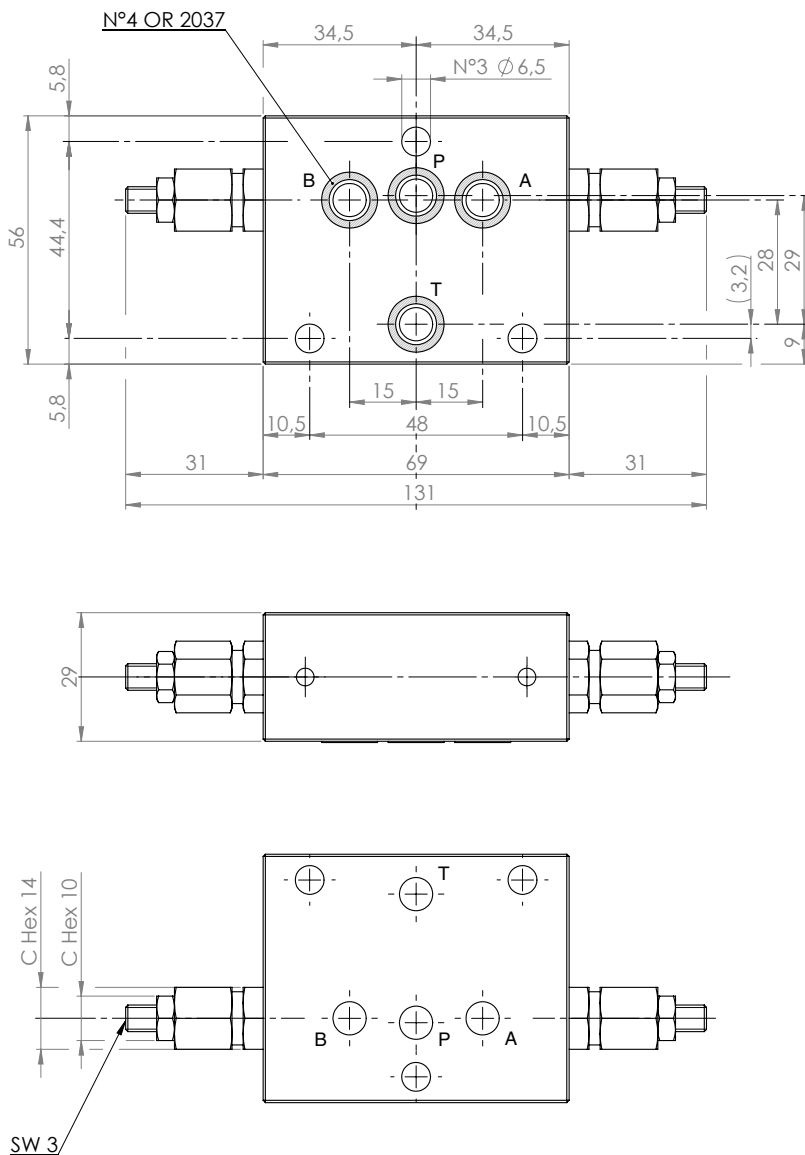
3 TECHNICAL DATA

Maximum rec. flow rate in P and T lines	20 l/min
Maximum flow rate in A and B lines	6 l/min
Maximum nominal pressure	25 MPa (250 bar)
Mass	1 kg

4 HYDRAULIC FLUIDS

Seals and materials used on standard valves AMF are fully compatible with hydraulic fluids of mineral oil base, upgraded with antifoaming and antioxidantizing agents. The hydraulic fluid must be kept clean and filtered to ISO 4406 class 21/18/15, or better, and used in a recommended viscosity range from 10 cSt to 60 cSt.

5 INSTALLATION DIMENSIONS (mm)



6 OPTIONS

Available for P and T lines "section reducer" or "stop" with O ring

D (mm)	CODE
0	3S-00
1,0	3S-10
1,5	3S-15
2,0	3S-20
2,5	3S-25

