

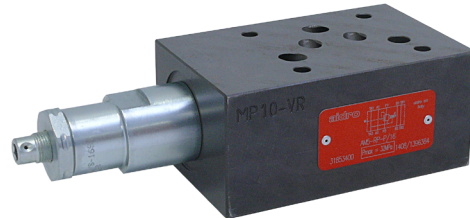
STACKABLE VALVES PRESSURE REDUCING

AM5-RP-*

100 l/min 32 MPa (320 bar)

1 DESCRIPTION

Stackable pressure reducing valve pilot operated. The valve is made with a steel body combined with a pressure relief valve. The body of the valve is phosphate coated. The cartridge valve is zinc coated. The pressure can be set in different pressure ranges.



2 ORDERING CODE

(1)	(2)	(3)	(4)	(5)	(6)
AM5	-	RP	-	-	/ 20

(1) AM5 : stackable valve CETOP 05 - Pressure 32 MPa (320 bar)

(2) RP : pressure reducing, pilot operated

(3) Lines where the control operates

P : relief on P and discharge to T

A : relief on A and discharge to T

B : relief on A and discharge to T

(4) controlled pressure adjustment ranges :

6,3: from 0,5 to 7 MPa (from 5 to 70 bar)

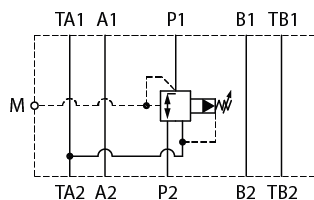
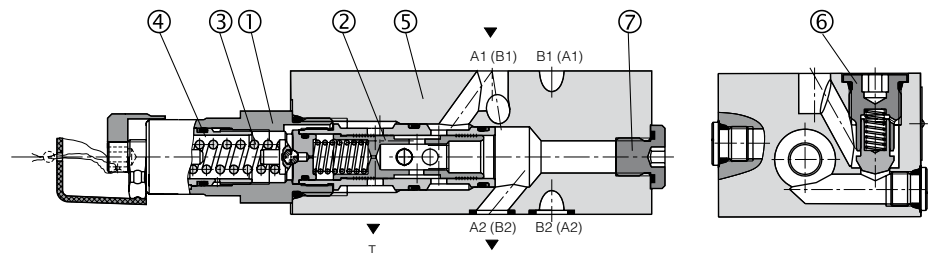
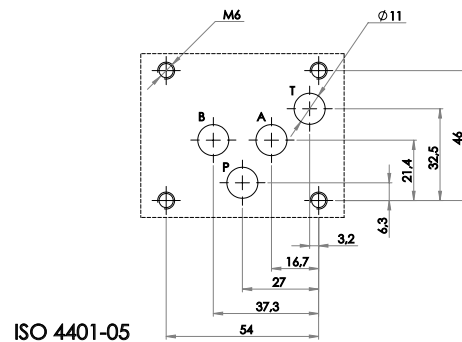
16: from 1 to 16 MPa (from 10 to 160 bar)

20: from 1,6 to 2,1 MPa (from 16 to 210 bar)

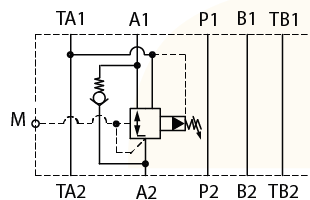
(5) Code reserved for special variants

V: adjustment with knob

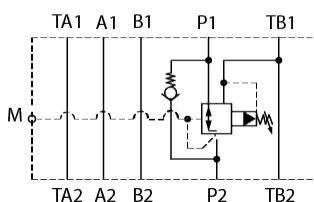
(6) Design number (progressive) of the valves



AM5-RP-P

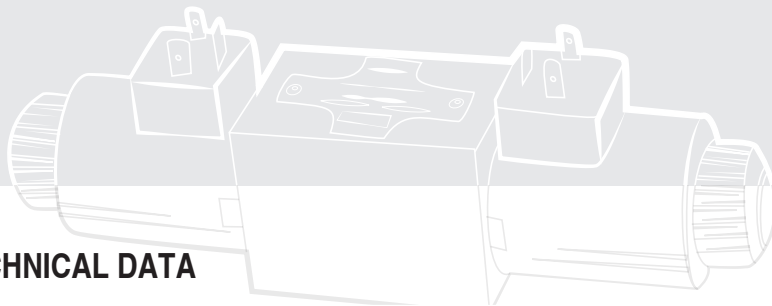


AM5-RP-A



AM5-RP-B

All valves type AM5-RP-* reduce pressure P of the solenoid valve as follows : On version P, the valve constantly reduce pressure at the settled value On version A, the pressure is reduced in direction A ->A1 while the return is free On version B, the pressure is reduced in direction B-> B1 while the return is free All valves type AM5-RP-* have a 1/4" BSP manometer port (M) for the direct reading of the reduced pressure.

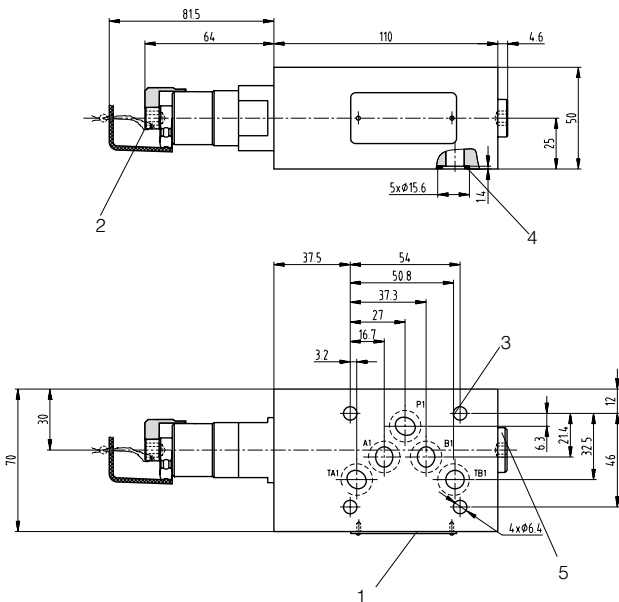


3 TECHNICAL DATA

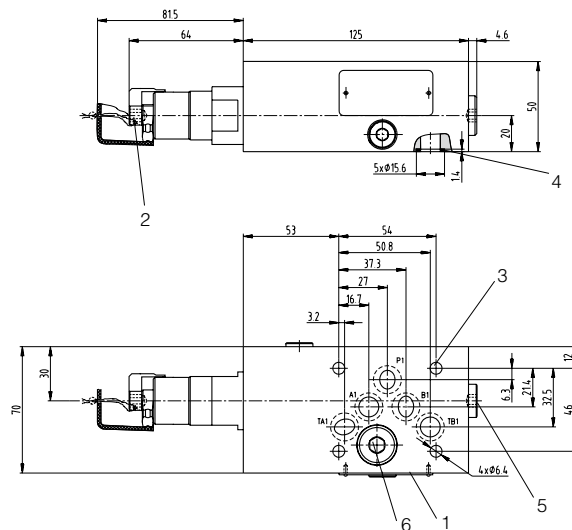
Maximum rec. flow rate on regulated line	80 l/min	Adjustment of the pressure: Reduced pressure is obtained by throttling the flow on spool which is balanced, on one side, by the reduced pressure and, on the other side, by the positioning spring and by the pilot pressure. Pilot pressure is established by the action of spring on the pilot valve. The value of the reduced pressure is changed by changing the compression of spring. To increase the value of the reduced pressure, turn clockwise acting on adjustment element 2 (C hex 6 mm), after having unlocked its retaining nut (C hex 27 mm).
Maximum input pressure	32 MPa (320 bar)	
Maximum rec. flow rate on free lines	100 l/min	
Pilot flow rate	0,7 l/min	
mass		
3,2 kg	Model A,B	
2,85 kg	Model P	

4 INSTALLATION DIMENSIONS (mm)

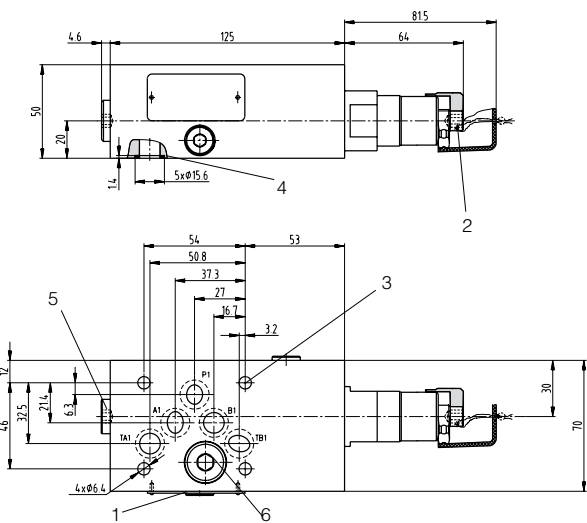
AM5-RP-A/*



AM5-RP-B/*



AM5-RP-P/*

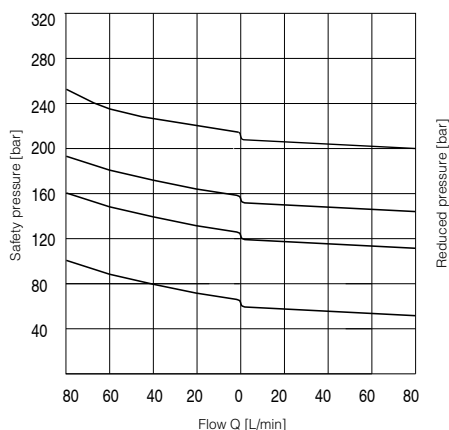


5 HYDRAULIC FLUIDS

Seals and materials used on standard valves AM5-* are fully compatible with hydraulic fluids of mineral oil base, upgraded with antifoaming and antioxidantizing agents. The hydraulic fluid must be kept clean and filtered to ISO 4406 class 19/17/14, or better, and used in a recommended viscosity range from 10 cSt to 60 cSt.

6 TYPICAL DIAGRAMS

measured at $v=36$ cSt and 50°C



All stackable valves AM5-RP-* conform with ISO and CETOP specifications for mounting surface dimensions and for valves height (50 mm). Leakage between valve and mounting surface is prevented by the positive compression on their seats of 5 seals type Quad-Ring (12.42 x 1.69 mm)