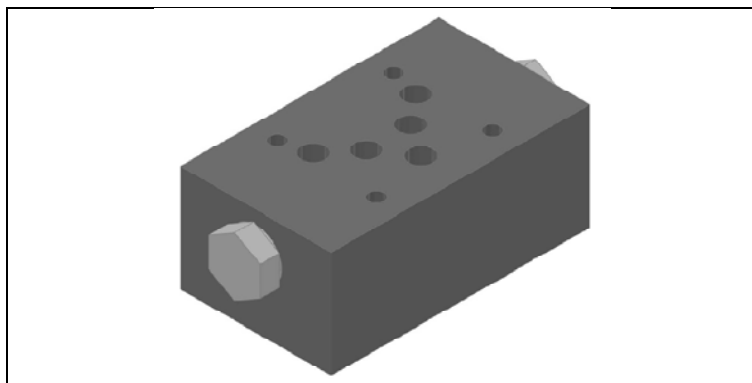
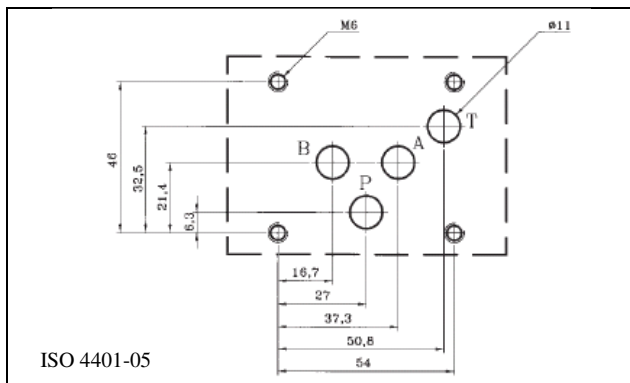
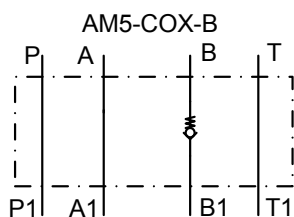
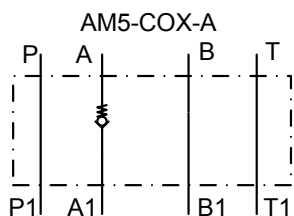
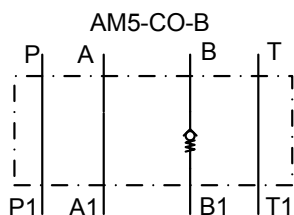
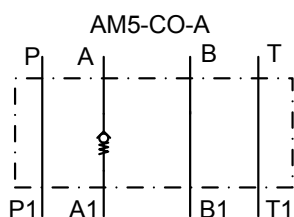
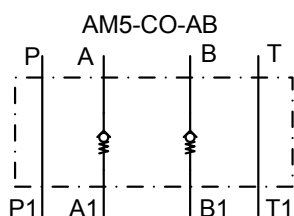


## Stackable valves cetop 05 check valves type AM5-CO-\*



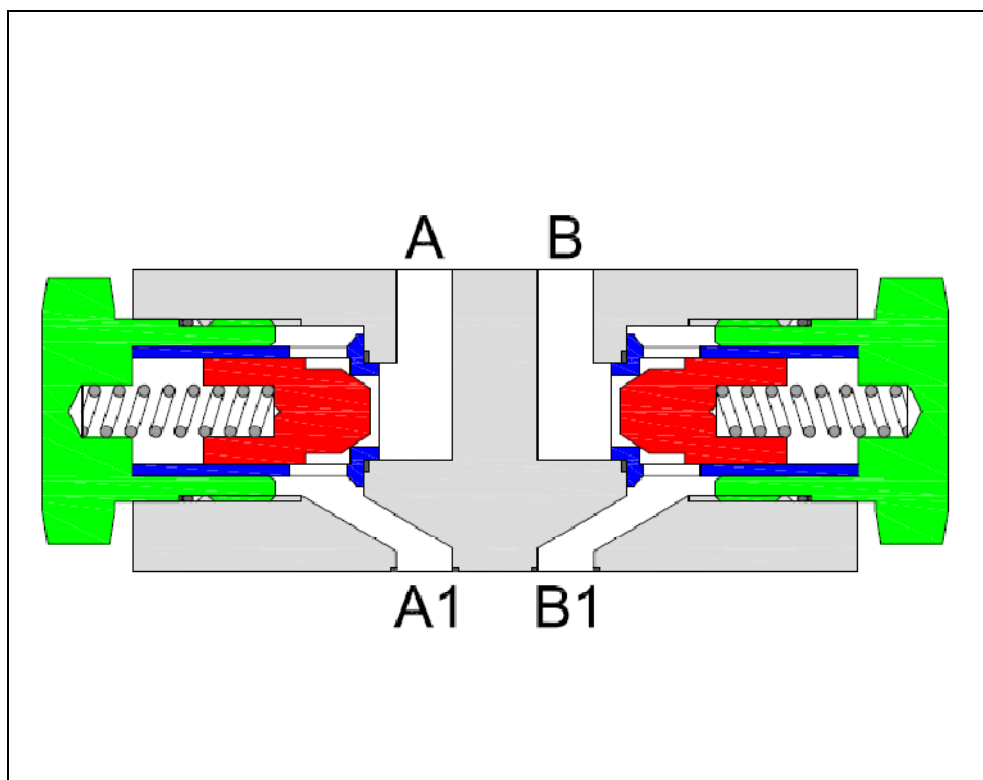
### 2 FUNCTIONAL SYMBOLS



### 1 HOW TO READ THE MODEL CODE FOR VALVES HD5-\*

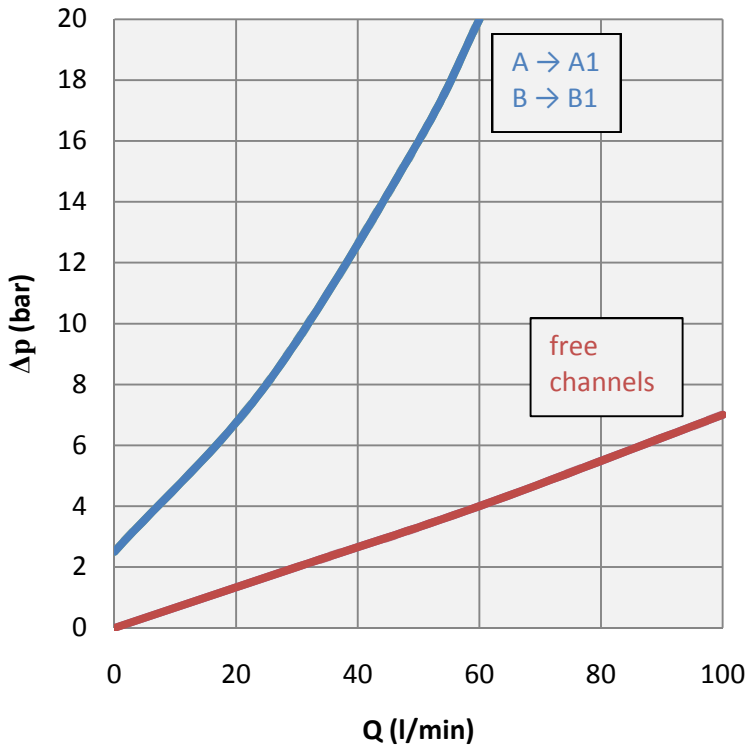
<b>AM5</b>	-	<b>CO</b>	( <b>X</b> )	-	( <b>AB</b> )	-	*	-	**	/	<b>10</b>
①		②	③		④		⑤		⑥		⑦

- ① **AM5** : stackable valve Cetop 05 – Pressure 32 MPa (320 bar)
- ② **CO** : check valve, spring operated
- ③ **(X)** : flow A1 → A ( B1 → B), see functional symbols 2
- ④ **(AB)** : service lines where the control(s) operate(s) (see also 2)
- ⑤ **\*** : check valve opening (cracking pressure)
  - : 0.2 MPa (2bar)
  - 4** : 0.4 MPa (4 bar)
- ⑥ **\*\*** : code reserved for special variants (materials, seals, surface treatments, etc.=
- ⑦ **10** : design number (progressive) of the valve



### 3 TYPICAL DIAGRAMS

Typical  $\Delta p$ -Q curves for valves AM5-CO-\* in standard configuration, with mineral oil at 36 cSt and T=50°C.



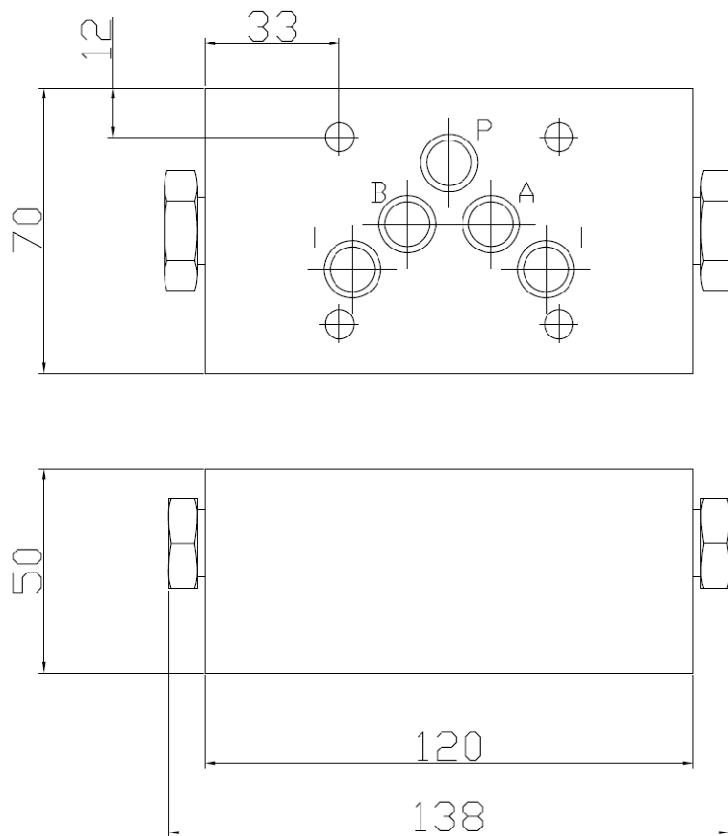
### 4 TECHNICAL DATA

max. rec. flow rate on controlled line(s)	60 l/min
max. rec. flow rate on free channels	100 l/min
max. nominal pressure	32 MPa (320 bar)
pressure drops	see 3
dimensions	see 6

### 5 INSTALLATION

All stackable valves AM5-\* conform with ISO and CETOP specifications for mounting surface dimensions (see also front page) and for valves height (50 mm). Leakage between valve and mounting surface is prevented by the positive compression on their seats of 5 seals of Quad-Rings type 12,42 x 1,68 x 1,68 mm or 5 O-Rings type 12,5 x 1,68.

### 6 INSTALLATION DIMENSION



All dimensions are mm