

STACKABLE VALVE PRESSURE COMPENSATED, FIXED CONTROL VALVES

AM3-Q*-P/34

32 MPa (320 bar)

1 DESCRIPTION

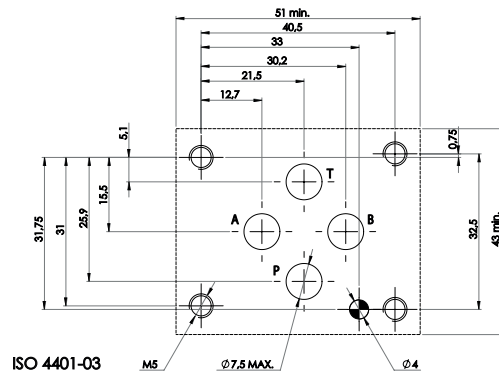
Stackable valve CETOP 3 with flow restrictor function pressure compensated. With this model It is possible to control the line P. Different orifice sizes are available.



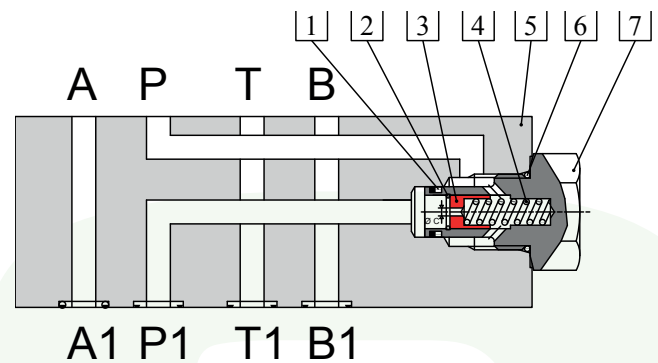
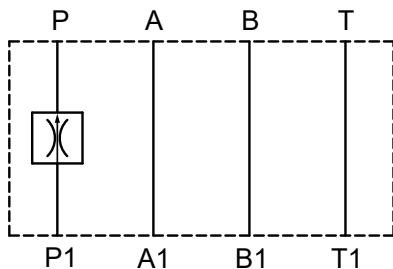
2 ORDERING CODE

(1)	(2)	(3)	(4)	(5)	(6)
AM3	-	Q	-	P	/ 34

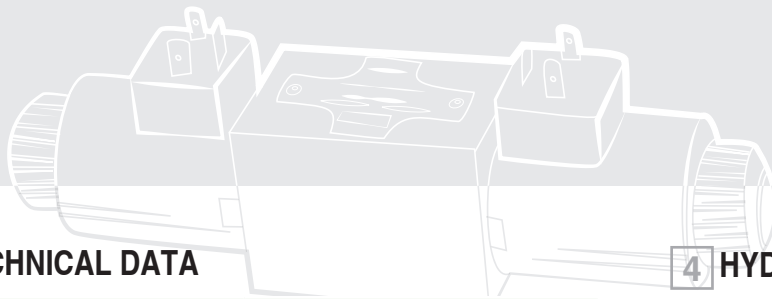
- (1) AM3: Stackable valve CETOP 03
- (2) Q: Pressure compensated, fixed flow control
- (3) Flow rate setting (see 3)
- (4) P: Line where the control operates
- (5) Code reserved for more options and variants
- (6) Cavity for cartridge valves is 3/4" 16 UNF



AM3-Q(*)-P/34



Fluid flows freely in A, B and T lines. P1->P : fluid flows through orifice of throttle 3 (flow rate depending on the value orifice diameter $\varnothing C$). When pressure difference between P1 and P increases, throttle 3 moves against spring 4 and reduces the area of the lateral orifices, thus keeping flow rate constant at the requested value.



3 TECHNICAL DATA

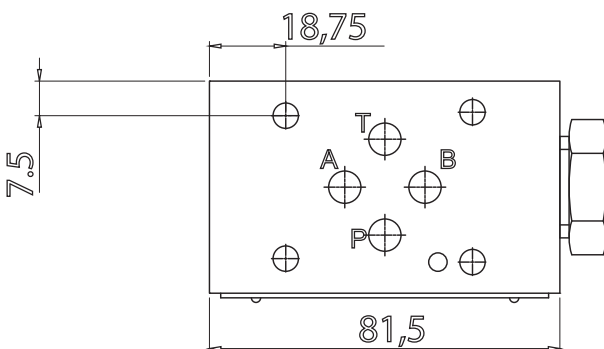
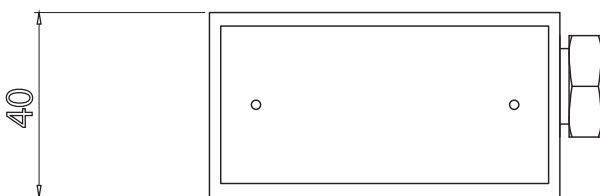
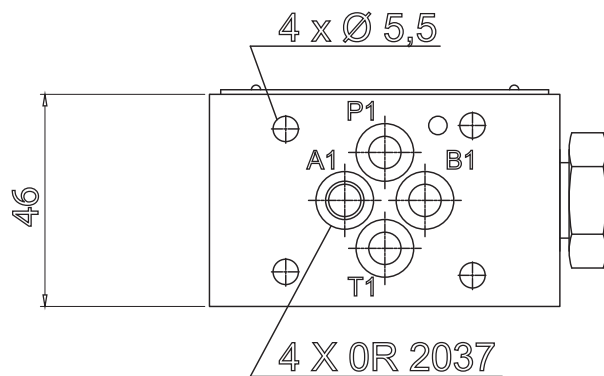
Maximum rec. flow rate on P line	25 l/min
Maximum nominal pressure	32 MPa (320 bar)

Approximate flow rates corresponding with the orifice Ø C		
Ordering Code	ORIFICE Ø C (mm)	Flow (l/min)
AM3-Q1-P/34	0,8	1
AM3-Q2-P/34	1	2
AM3-Q3-P/34	1,25	3
AM3-Q4-P/34	1,5	4
AM3-Q5-P/34	1,75	5
AM3-Q6-P/34	2	6
AM3-Q9-P/34	3	9
AM3-Q12-P/34	4	12

4 HYDRAULIC FLUIDS

Seals and materials used on standard valves AM3-* are fully compatible with hydraulic fluids of mineral oil base, upgraded with antifoaming and antioxidizing agents. The hydraulic fluid must be kept clean and filtered to ISO 4406 class 19/17/14, or better, and used in a recommended viscosity range from 10 cSt to 60 cSt.

5 INSTALLATION DIMENSIONS (mm)



All stackable valves AM3-* conform with ISO and CETOP specifications for mounting surface dimensions and for valves height (40 mm). Leakage between valve and mounting surface is prevented by the positive compression on their seats of 4 seals of OR type