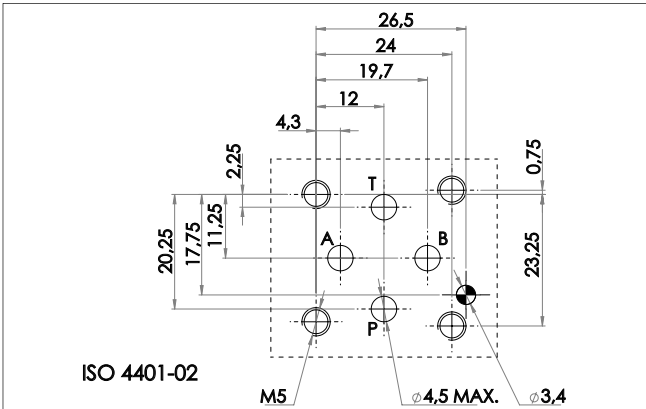
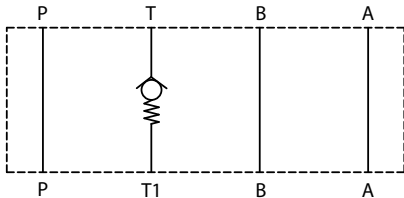


**STACKABLE VALVES CETOP 02  
CHECK VALVES  
TYPE AM2 - CO - \* /20**

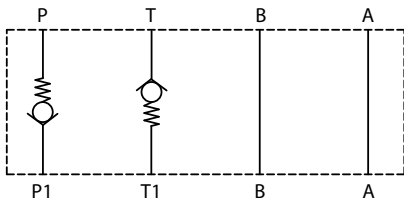


**2 FUNCTIONAL SYMBOLS**

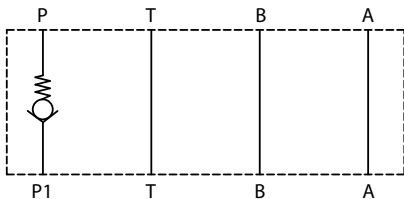
AM2-CO-T-\*/\*\*/20



AM2-CO-PT-\*/\*\*/20



AM2-CO-P-\*/\*\*/20

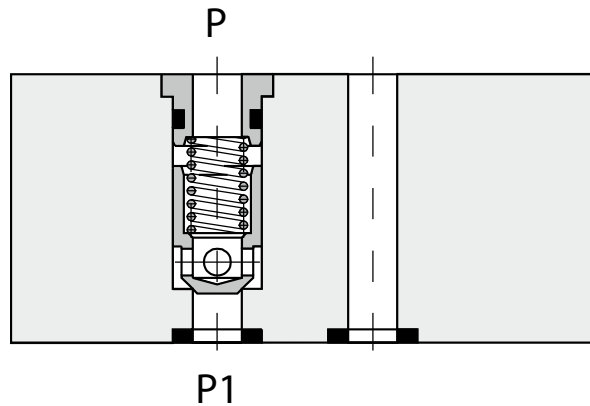


**1 HOW TO READ THE MODEL CODE FOR VALVES AM2 - CO - \* - \*\* / 20.**

**AM2 - CO - (T) - \* - \*\* / 20**  
 ①                      ②                      ③                      ④                      ⑤                      ⑥

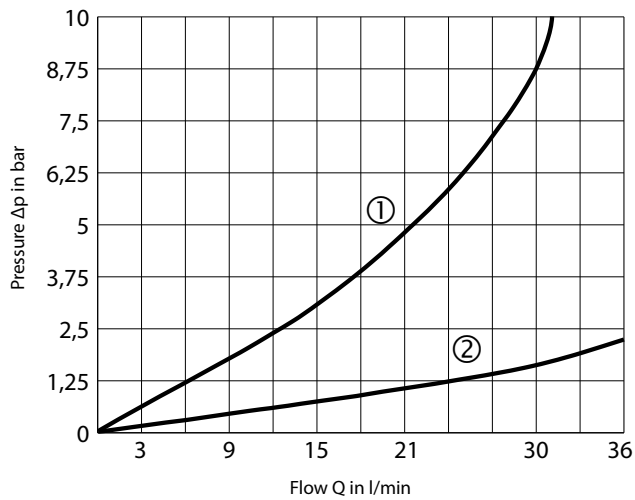
- ① **AM2** : stackable valve CETOP 02 - Pressure 32 MPa (320 bar)
- ② **CO** : check valve, spring operated
- ③ **(T)** : service lines where the control(s) operate(s); see also functional symbols [2](#).  
 T : checks on T: flow T1 → T is blocked.                      A, B and P : free.  
 P : check on P: flow P → P1 is blocked.                      A, B and T : free.  
 PT : check on P and T: P → P1 and T1 → T are blocked. A and B: free.
- ④ : check valve opening (cracking) pressure (Pm):  
 - (standard) : Pm approx 0.2 MPa (2 bar)
- ⑤ : code reserved for special variants (materials, seals, surface treatments, etc.)
- ⑥ : design number (progressive) of the valves.

AM2-CO-P-\*/\*\*/20



## 3 TYPICAL DIAGRAMS

Typical  $\Delta p$ -Q curves for valves AM2-CO-/20 in standard configuration, with mineral oil at 36 cSt and at 50°C.



① P → P1 and T1 → T      ② Free channels

## 5 TECHNICAL DATA

Maximum rec. flow rate	30 l/min
Maximum nominal pressure	320 bar
Pressure drops	see ③
Dimensions	see ④
Installation	see ⑥
Mass	approx 0,4 kg

## 6 INSTALLATION

All stackable valves AM2 - CO - \* /20 conform with ISO and CETOP specifications for mounting surface dimensions (see also front page).

Valves height 30 mm.

Leakage between valve and mounting surface is prevented by the positive compression on their seats of 4 seals.

All valves have on their "mounting" surface a  $\varnothing 3.4$  mm cylindrical hole and have on their "seals" surface a  $\varnothing 3$  mm cylindrical hole, conform with ISO and CETOP norms.

## 7 HYDRAULIC FLUIDS

Seals and materials used on standard valves AM2 - \* are fully compatible with hydraulic fluids of mineral oil base, upgraded with antifoaming and antioxidizing agents.

The hydraulic fluid must be kept clean and filtered to ISO 4406 class 19/17/14, or better, and used in a recommended viscosity range from 10 cSt to 60 cSt.

## 4 INSTALLATION DIMENSIONS

