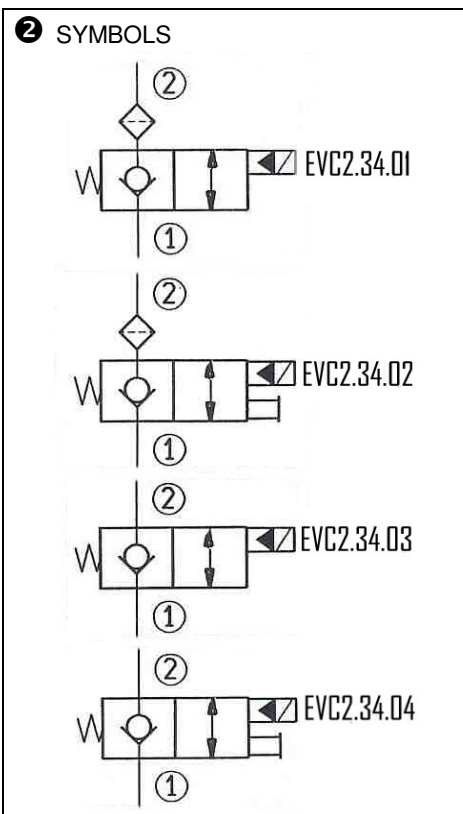
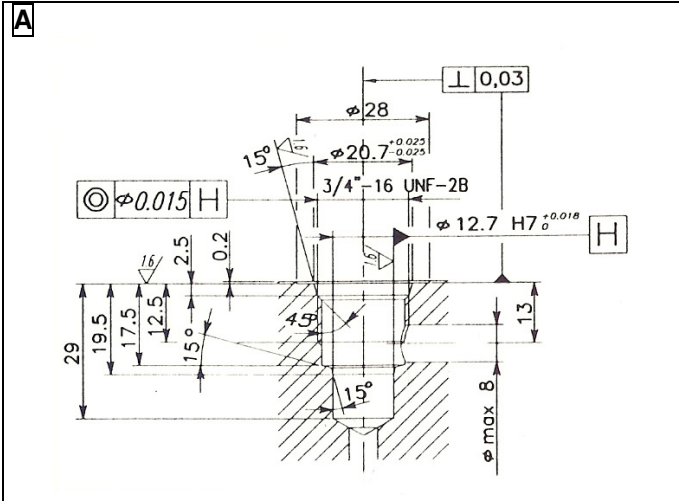


**SCREW-IN, 2 WAY SOLENOID OPERATED POPPET VALVES
NORMALLY CLOSED, CAVITY 3/4" 16 UNF Ø 12,7 mm
TWO DIRECTIONS FLOW
TYPE EVC2.34.**



1 HOW TO READ THE MODEL CODE FOR VALVES EVC2.34.

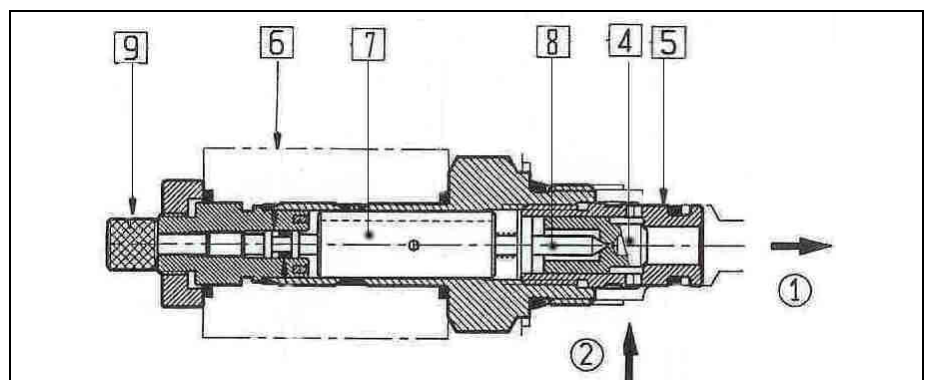
EV C2. 34. (04). (012C). * . **

① ② ③ ④ ⑤ ⑥ ⑦

- ① EV : screw-in directional solenoid valve
- ② C2 : valve with Ø 13 mm solenoid core (see ⑥), 2 way, 2 position, poppet type, normally closed, two directions flow (see ②)
- ③ 34 : cavity 3/4 " 16 UNF with Ø 12,7 mm - see A ⑨
- ④ (04) : valves variants (see ②⑤)
 - 01 : filter
 - 02 : filter and manual override
 - 03 : --
 - 04 : manual override
 - P* : manual override protection
- ⑤ (012C) : electric voltage and solenoid coils (see ⑦⑩)
 - 0000 : no coil
 - 012C : coil for V12DC
 - 024C : coil for V24DC
 - 220R : coil for V220-230 RAC
 - 230/50 : coil for V230/50 AC
- ⑥ * : options for coil connection (see ⑦)
 - : standard connection ISO4400/DIN 43650/A
 - /C : flying leads; /K: Kostal; /A: AMP Junior
- ⑦ ** : options for ISO4400/DIN 43650/A connectors (see ⑧)
 - B9 : standard connector, black PG9
 - D9 : black connector, with diode, PG9
 - ES : "energy saving" connector with LED
 - R* : rectifier bridge; L*:LED; V*:LED+varistor

3 DESCRIPTION

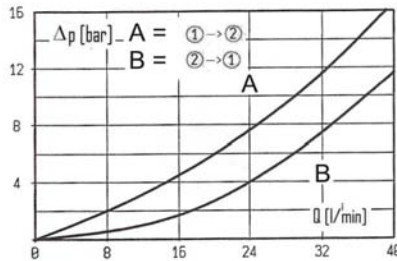
The poppet 4 is pilot operated and it is kept normally closed against its seat 5. When the solenoid 6 is energized, the mobile armature 7 and the pilot pin 8 are shifted and the poppet, unbalanced by pressure, opens permitting flow in both directions. The manual override 9 is of screw type and permits the valve operation in case of electric failure.



4 TECHNICAL DATA

Nominal flow rate	32 l/min
Maximum rec.flow rate	40 l/min
Max pressure	25 Mpa (250 bar)
Dimensions	see 6
Installation	see 9
Electric features	see 7
Duty cycle	ED 100%
Mass (without coil)	0,120 kg.

PRESSURE DROPS



Viscosity 42 cSt at 50°C.

5 VARIANTS

01 and 02 : filter (0,25 mm) on way 2 prevents from dirt and better diffuses the flow around the poppet.

02 and 04 : manual override is of screw type. Turn anticlockwise to pilot the poppet open (flow from 2 to 1); turn clockwise to reinstall the condition of normally closed poppet (no flow from 2 to 1).

7 ELECTRIC FEATURES.

Those solenoid valves are normally equipped by coils type C30, which are energized from DC or AC supply (see 8).

Coils type C30-***C are DC energized directly from a V***DC supply.

Coils type C30-***R are RAC (Rectified Alternate Current) energized from a V***AC supply, by a full wave bridge rectifier incorporated in the connector.

Solenoid valves type EVC2.34. can also be AC energized, directly from a V***AC supply, by using appropriate C30-***/50 or C30-***/60 coils (see 8).
(* Caution : with AC operation, the inrush current can be up to 3-4 times the nominal holding value.

Coils type C30 are normally provided for use of ISO 4400/DIN 43650/A connectors. For coils with different connection to the power supply, see table C30/36.

8 CONNECTORS.

Standard coils are compatible with KA-132 connectors (see table) ; for some functions (R* = bridge rectifier, L* = LED, etc.) the voltage has to be specified :

1 = V12, V24 2 = V115 3 = V230

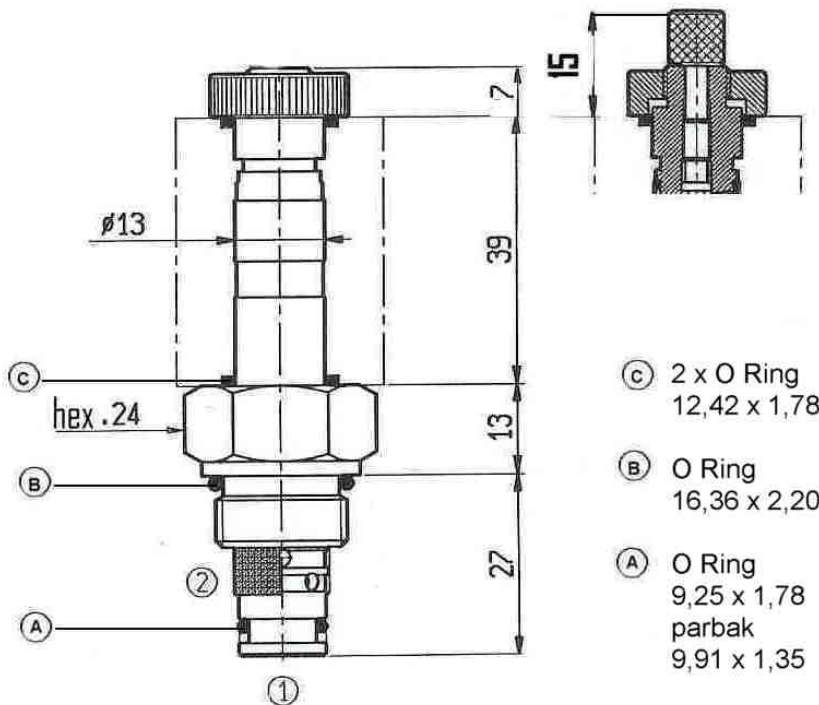
The "energy saving" connectors – option ES – save current consumption to less than 50% of the nominal and strongly reduce warming up of the coils – see table KA-ES.

9 INSTALLATION

EV*.34 valves are to be installed in cavity 3/4" 16 UNF with Ø 12,7 mm (see A and 6).

Check the appropriate state and position of the seals A and B, screw the valve in the cavity and lock it with a torque of about 45 Nm applied on the 24 mm hexagon.

6 INSTALLATION DIMENSIONS.



All dimensions are mm.

10 COILS TYPE C30 (Ø 13 mm – 18 w : 35 VA)

Coils ISO/DIN	voltage DC/RAC	nominal current [A]	resistance 20°C [Ω]	nominal power [W]	isulation class
C30-012C	V 12 DC	1,55	7,7	18,6	F
C30-024C	V 24 DC	0,8	31	19	
C30-024R	V 24 RAC	0,85	27	18,3	
C30-048C	V 48 DC	0,4	116	19	
C30-048R	V 48 RAC	0,4	106	17,3	
C30-110R	V 110-115 RAC	0,16	600	16	
C30-220R	V 220-230 RAC	0,08	2500	16	F
	AC	(*)		[VA] (*)	
C30-024/50	24V 50Hz	0,9	5,3	35	
C30-110/50	110-115V 50Hz	0,2	108		
C30-230/50	220-230V 50Hz	0,1	438		
C30-110/60	110-115V 60Hz	0,3	92		
C30-220/60	220-230V 60Hz	0,15	375		

