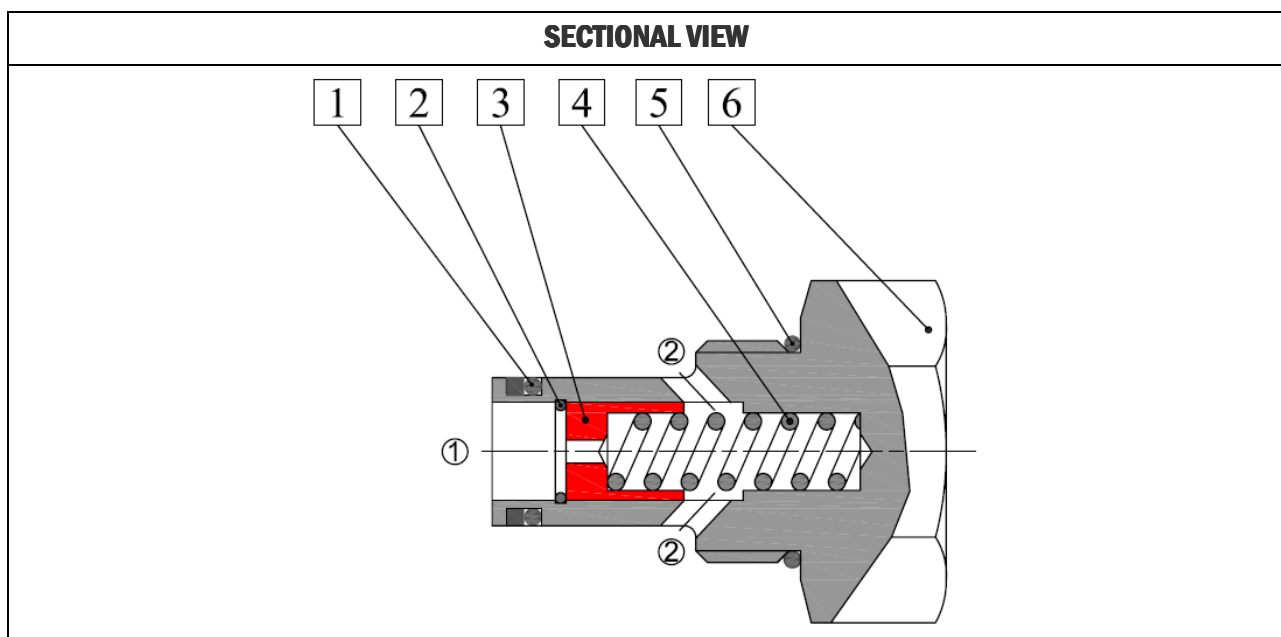


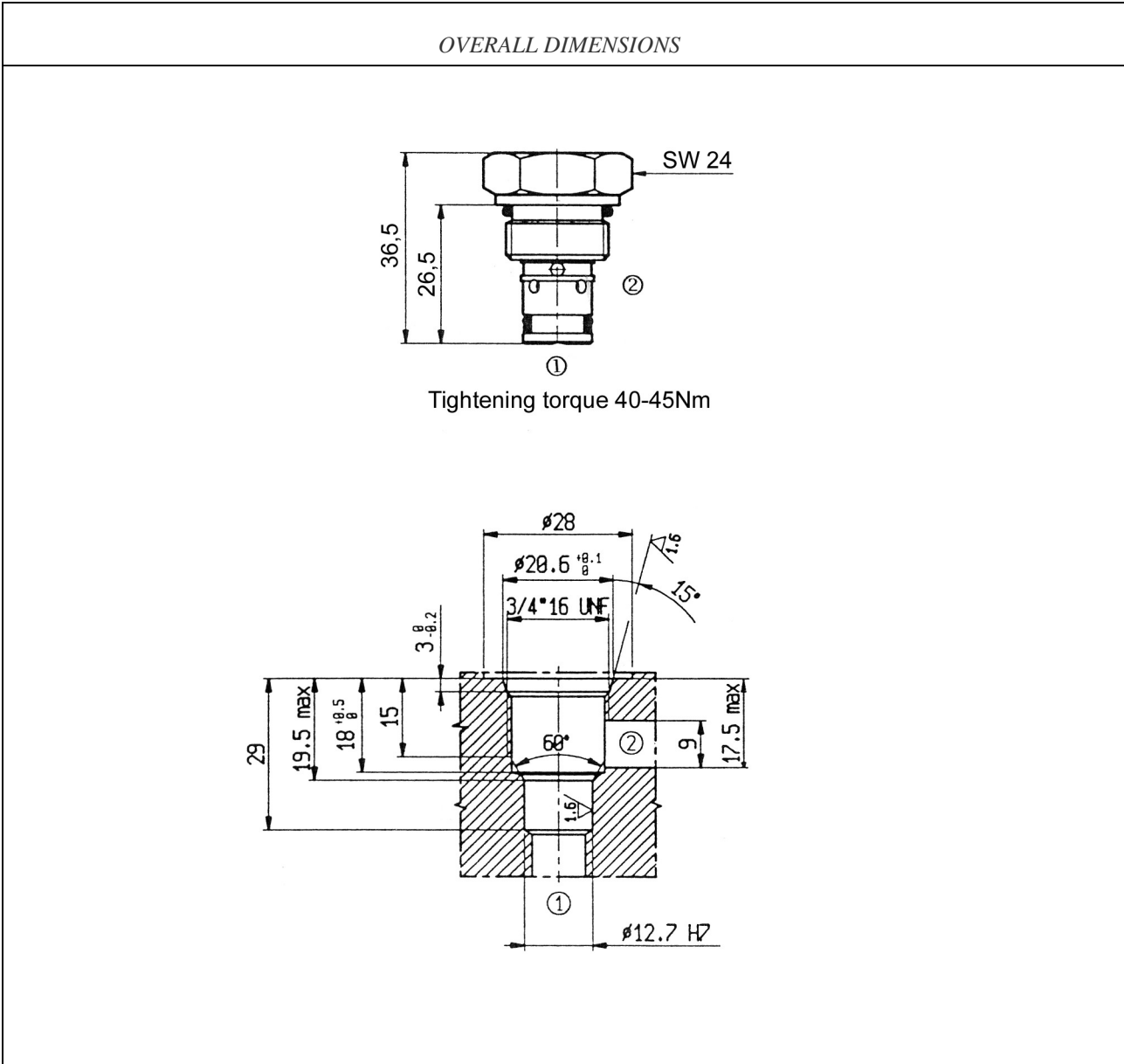
**HYDRAULIC SCREW-IN FLOW CONTROL VALVES type VQF
PRESSURE COMPENSATED**

- 2-way pressure compensated flow control valve
- Suitable for standard cavity 3/4" 16 UNF
- Not adjustable type: available in different fixed delivery rates (from 1 to 12 l/min – accuracy: ±10% at 100 bar)
- Maximum operating pressure: 250 bar
- Reverse flow through the same regulating orifice, without pressure compensation
- Steel body
- Poppet in hardened and grinded steel



SYMBOL	ORDERING CODE	
	VQF – 34 / **	
	VQF	Pressure compensated flow control valve
	34	Size (3/4" 16 UNF)
	**	Flow rate: 1 – 1 l/min 2 – 2 l/min 3 – 3 l/min 4 – 4 l/min 5 – 5 l/min 6 – 6 l/min





Subject to technical and dimensional changes without notice

