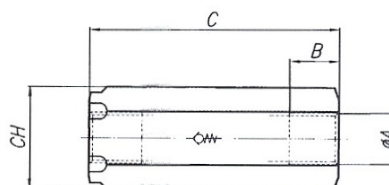


## IN-LINE DIRECTIONAL CONTROL VALVES type FT

TABLE AD-550

### FT 257/6 CHECK VALVES

- Direct acting check valves, poppet type
- BSP thread ports for in-line assembly
- Body, poppet and spring in steel
- Maximum operating pressure: 320 bar
- Poppet release pressure: 0,35 bar (different settings available on request)
- Outer section for easier assembly with hexagonal spanner

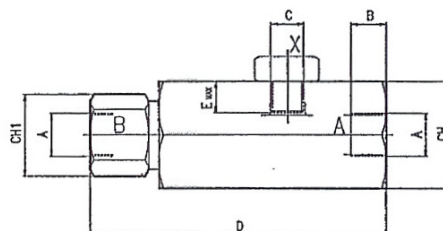
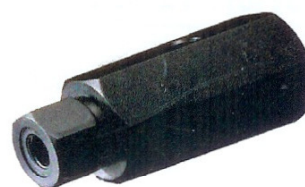


ORDERING CODE	Symbol	Ports (ØA)	Q <sub>MAX</sub> (l/min)	B	C	CH
FT 257/6-14		1/4" BSP	16	12,5	63	22
FT 257/6-38		3/8" BSP	30	12,5	69	27
FT 257/6-12		1/2" BSP	60	12,5	80,5	32

Subject to technical and dimensional changes without notice

### FT 257/7 PILOT OPERATED CHECK VALVES

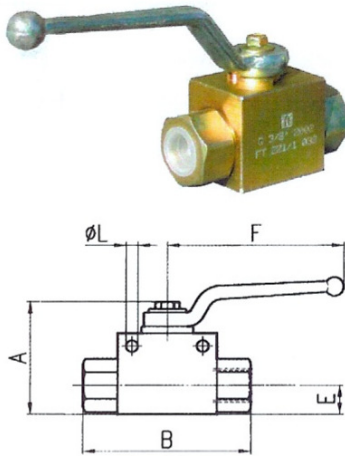
- Pilot operated check valves, poppet type
- BSP thread ports for in-line assembly
- Pilot port: 1/4" BSP
- Body, poppet and spring in steel
- Maximum operating pressure: 320 bar
- Outer section for easier assembly with hexagonal spanner



ORDERING CODE	Symbol	Ports (A)	Q <sub>MAX</sub> (l/min)	Pilot ratio	B	D	E	CH	CH1
FT 257/7-14		1/4" BSP	16	1 / 5,3	12,5	100	12	38	28
FT 257/7-38		3/8" BSP	30	1 / 5	12,5	115	12	41	34
FT 257/7-12		1/2" BSP	60	1 / 5,3	15,5	139	12	46	41

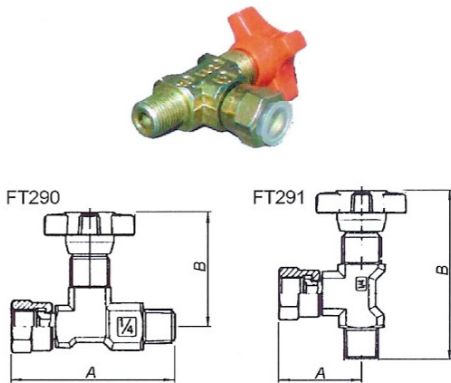
Subject to technical and dimensional changes without notice


TABLE AD-550

<b>FT 221/1 SHUT-OFF VALVES</b>	
<ul style="list-style-type: none"> <li>❑ Shut-off valves, ball type</li> <li>❑ BSP thread ports for in-line assembly</li> <li>❑ Body in steel</li> <li>❑ Lever and ball in chromium-plated steel</li> <li>❑ Maximum pressure: 500 bar</li> <li>❑ PTFE ball seals</li> </ul>	

ORDERING CODE	Symbol	Ports	Q <sub>MAX</sub> (l/min)	A	B	E	F	ØL
<b>FT 221/1-14</b>		1/4" BSP	16	49	71	12,5	110	5,5
<b>FT 221/1-38</b>		3/8" BSP	30	54	72	17,5	110	5,5
<b>FT 221/1-12</b>		1/2" BSP	60	59	83	19	110	6,5

Subject to technical and dimensional changes without notice

<b>FT 29* SHUT-OFF VALVES</b>	
<ul style="list-style-type: none"> <li>❑ Shut-off valves, needle type, typically used as shutter for pressure gauge</li> <li>❑ 1/4" BSP thread ports for in-line assembly (male – female revolving)</li> <li>❑ Body in steel</li> <li>❑ Maximum pressure: 400 bar</li> <li>❑ Nitrile O-ring</li> <li>❑ PTFE extrusion-safe ring</li> </ul>	

ORDERING CODE	Symbol	Ports	A	B
<b>FT 290</b>		1/4" BSP	61,5	45
<b>FT 291</b>		1/4" BSP	30	66

Subject to technical and dimensional changes without notice